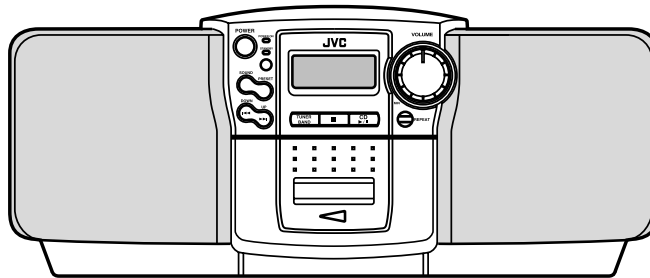
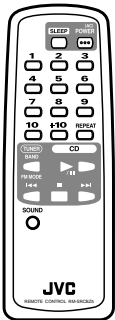


# JVC

## SERVICE MANUAL

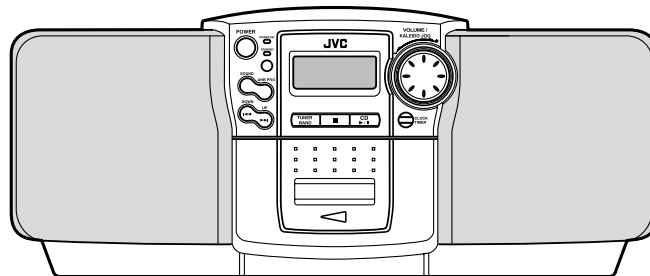
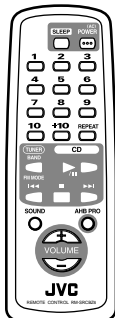
CD PORTABLE SYSTEM

### RC-BZ5LB/BZ5RD RC-BZ6BU



RC-BZ5LB/BZ5RD

Areas suffix	
J	U.S.A.
C	Canada



RC-BZ6BU



## Contents

Safety precautions .....	1-2
Importance administering point on the safety .....	1-3
Preventing static electricity .....	1-4
Important for laser products .....	1-5
Disassembly method .....	1-6
Adjustment method .....	1-15
Description of major ICs .....	1-18

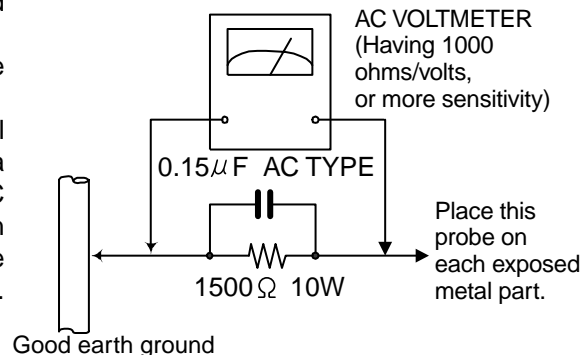
## Comparison table

Item	RC-BZ5LB/BZ5RD	RC-BZ6BU
Jog dial circuit	Not used	Used
Back light (LCD)	Not used	Used
Bass boost circuit	Not used	Used
Power amplifier	14W	18W
Electrical volume	Not used	Used

## Safety precautions

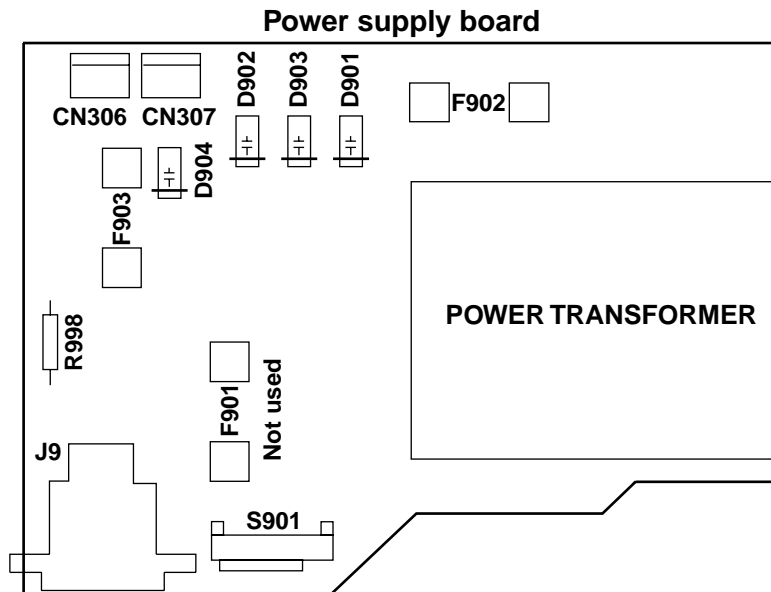
1. This design of this product contains special hardware and many circuits and components specially for safety purposes. For continued protection, no changes should be made to the original design unless authorized in writing by the manufacturer. Replacement parts must be identical to those used in the original circuits. Services should be performed by qualified personnel only.
2. Alterations of the design or circuitry of the product should not be made. Any design alterations of the product should not be made. Any design alterations or additions will void the manufacturer's warranty and will further relieve the manufacture of responsibility for personal injury or property damage resulting therefrom.
3. Many electrical and mechanical parts in the products have special safety-related characteristics. These characteristics are often not evident from visual inspection nor can the protection afforded by them necessarily be obtained by using replacement components rated for higher voltage, wattage, etc. Replacement parts which have these special safety characteristics are identified in the Parts List of Service Manual. Electrical components having such features are identified by shading on the schematics and by ( $\triangle$ ) on the Parts List in the Service Manual. The use of a substitute replacement which does not have the same safety characteristics as the recommended replacement parts shown in the Parts List of Service Manual may create shock, fire, or other hazards.
4. The leads in the products are routed and dressed with ties, clamps, tubings, barriers and the like to be separated from live parts, high temperature parts, moving parts and/or sharp edges for the prevention of electric shock and fire hazard. When service is required, the original lead routing and dress should be observed, and it should be confirmed that they have been returned to normal, after re-assembling.
5. Leakage current check (Electrical shock hazard testing)  
After re-assembling the product, always perform an isolation check on the exposed metal parts of the product (antenna terminals, knobs, metal cabinet, screw heads, headphone jack, control shafts, etc.) to be sure the product is safe to operate without danger of electrical shock.  
Do not use a line isolation transformer during this check.

- Plug the AC line cord directly into the AC outlet. Using a "Leakage Current Tester", measure the leakage current from each exposed metal parts of the cabinet, particularly any exposed metal part having a return path to the chassis, to a known good earth ground. Any leakage current must not exceed 0.5mA AC (r.m.s.)
- Alternate check method  
Plug the AC line cord directly into the AC outlet. Use an AC voltmeter having, 1,000 ohms per volt or more sensitivity in the following manner. Connect a 1,500 $\Omega$  10W resistor paralleled by a 0.15 $\mu$ F AC-type capacitor between an exposed metal part and a known good earth ground. Measure the AC voltage across the resistor with the AC voltmeter.  
Move the resistor connection to each exposed metal part, particularly any exposed metal part having a return path to the chassis, and measure the AC voltage across the resistor. Now reverse the plug in the AC outlet and repeat each measurement voltage measured any must not exceed 0.75 V AC (r.m.s.). This corresponds to 0.5 mA AC (r.m.s.).

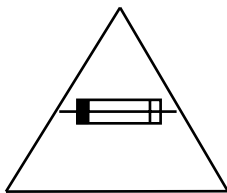


**CAUTION** Burrs formed during molding may be left over on some parts of the chassis. Therefore, pay attention to such burrs in the case of preforming repair of this system.

## Importance administering point on the safety



For USA and Canada / pour États - Unis d' Amérique et Canada



Caution: For continued protection against risk of fire, replace only with same type 3A/125V for F902 and F903. This symbol specifies type of fast operating fuse.

Précaution: Pour éviter risques de feux, remplacez le fusible de sûreté de F902 et F903 comme le meme type que 3A/125V.

Ce sont des fusibles sûretés qui fonctionnes rapide.

# Preventing static electricity

## 1. Grounding to prevent damage by static electricity

Electrostatic discharge (ESD), which occurs when static electricity stored in the body, fabric, etc. is discharged, can destroy the laser diode in the traverse unit (optical pickup). Take care to prevent this when performing repairs.

## 2. About the earth processing for the destruction prevention by static electricity

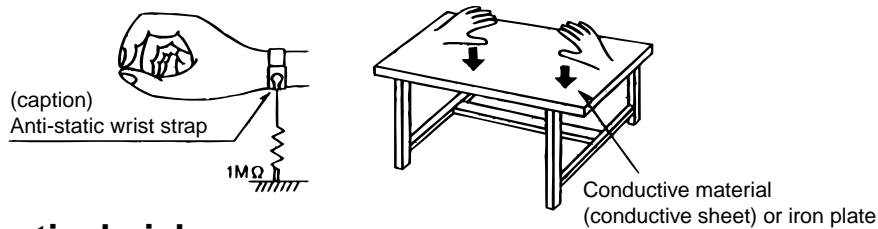
Static electricity in the work area can destroy the optical pickup (laser diode) in devices such as CD players. Be careful to use proper grounding in the area where repairs are being performed.

### 2-1 Ground the workbench

Ground the workbench by laying conductive material (such as a conductive sheet) or an iron plate over it before placing the traverse unit (optical pickup) on it.

### 2-2 Ground yourself

Use an anti-static wrist strap to release any static electricity built up in your body.



## 3. Handling the optical pickup

1. In order to maintain quality during transport and before installation, both sides of the laser diode on the replacement optical pickup are shorted. After replacement, return the shorted parts to their original condition. (Refer to the text.)
2. Do not use a tester to check the condition of the laser diode in the optical pickup. The tester's internal power source can easily destroy the laser diode.

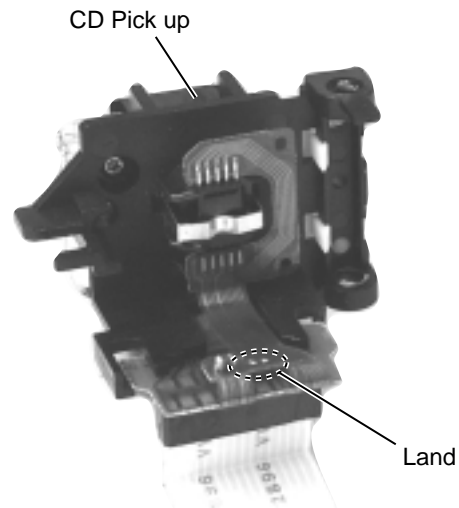
## 4. Handling the traverse unit (optical pickup)

1. Do not subject the traverse unit (optical pickup) to strong shocks, as it is a sensitive, complex unit.
2. Remove solder of the land on the flexible cable after replacing the optical pickup. For specific details, refer to the replacement procedure in the text. Remove the anti-static pin when replacing the traverse unit. Be careful not to take too long a time when attaching it to the connector.
3. Handle the flexible cable carefully as it may break when subjected to strong force.
4. It is not possible to adjust the semi-fixed resistor that adjusts the laser power. Do not turn it

## Attention when traverse unit is decomposed

**\*Please refer to "Disassembly method" in the text for pick-up and how to detach the substrate.**

1. Short the land before the card wire is removed from connector on the Main board as shown in Figure.  
(When the wire is removed without putting up solder, the CD pick-up assembly might destroy.)
2. Please remove solder after connecting the card wire with when you install picking up in the substrate.



## Important for laser products

### 1. CLASS 1 LASER PRODUCT

**2. DANGER** : Invisible laser radiation when open and interlock failed or defeated. Avoid direct exposure to beam.

**3. CAUTION** : There are no serviceable parts inside the Laser Unit. Do not disassemble the Laser Unit. Replace the complete Laser Unit if it malfunctions.

**4. CAUTION** : The compact disc player uses invisible laser radiation and is equipped with safety switches which prevent emission of radiation when the drawer is open and the safety interlocks have failed or are defeated. It is dangerous to defeat the safety switches.

**5. CAUTION** : If safety switches malfunction, the laser is able to function.

**6. CAUTION** : Use of controls, adjustments or performance of procedures other than those specified herein may result in hazardous radiation exposure.



**CAUTION** Please use enough caution not to see the beam directly or touch it in case of an adjustment or operation check.

## REPRODUCTION AND POSITION OF LABELS

### WARNING LABEL

CLASS 1  
LASER PRODUCT



## Disassembly method

### <Main body>

#### ■ Removing the front cabinet assembly / rear cabinet assembly (See Fig.1 to 3)

1. Detach the battery cover on the back of the body. Remove the eight screws A attaching the front cabinet assembly and the rear cabinet assembly.
2. Press STOP / EJECT button on the upper side of the body to open the cassette door.
3. Remove the front cabinet assembly toward the front and pull out the volume knob at the same time.
4. Disconnect the speaker harness from connector CN309 on the main board in the rear cabinet assembly.

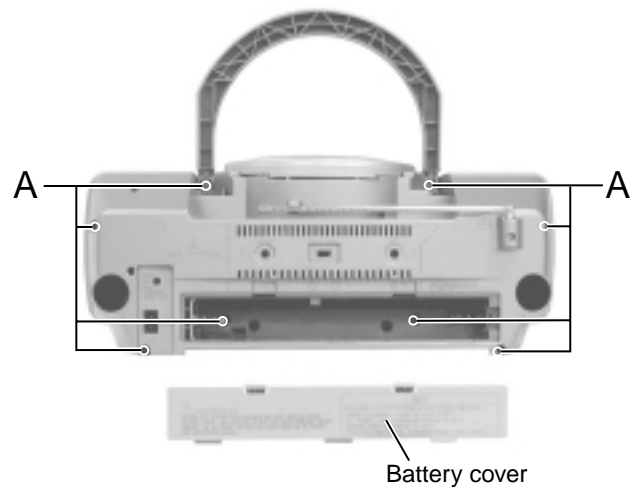


Fig.1

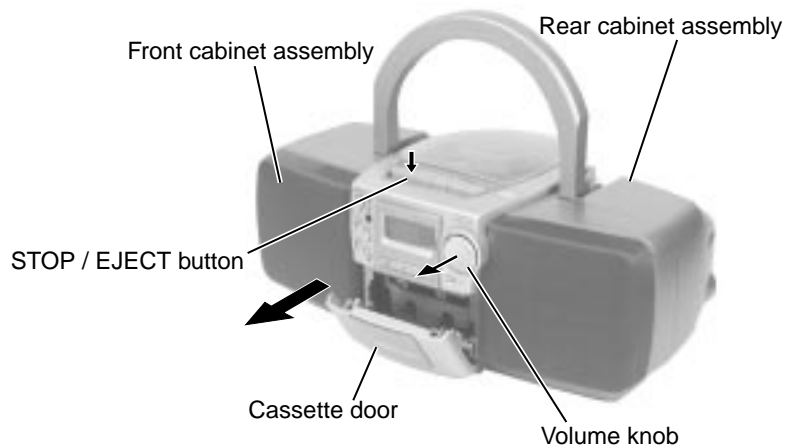


Fig.2

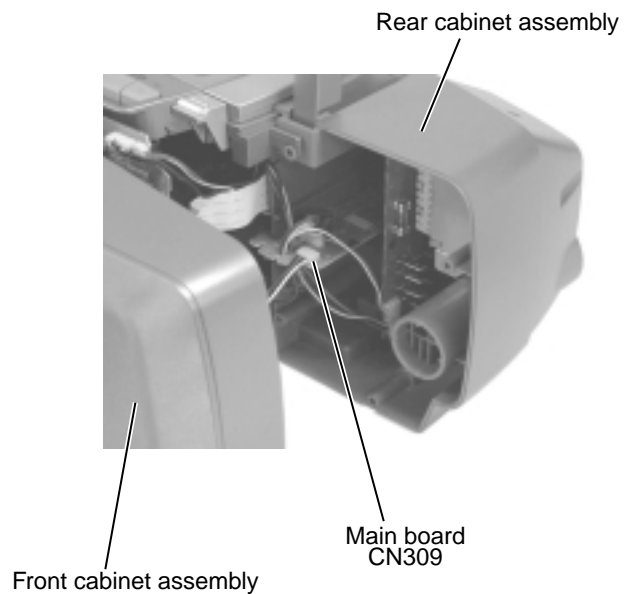


Fig.3

## <Front cabinet assembly>

### ■ Removing the speaker (L) and (R) (See Fig.4)

- Prior to performing the following procedure, remove the front cabinet assembly.

1. Remove the eight screws B in the front cabinet.

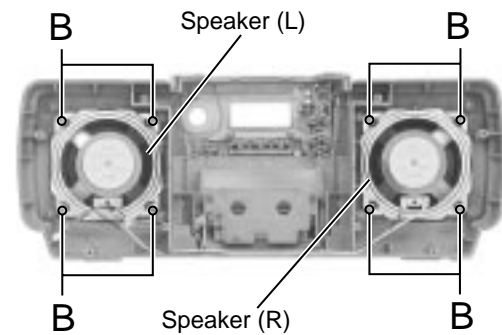


Fig.4

### ■ Removing the cassette door (See Fig.5 and 6)

- Prior to performing the following procedure, remove the front cabinet assembly.

1. Remove the door spring in the front cabinet assembly.
2. Insert a screwdriver between the door arm and the front cabinet and slide the door arms inward, then detach the cassette door from the front cabinet.

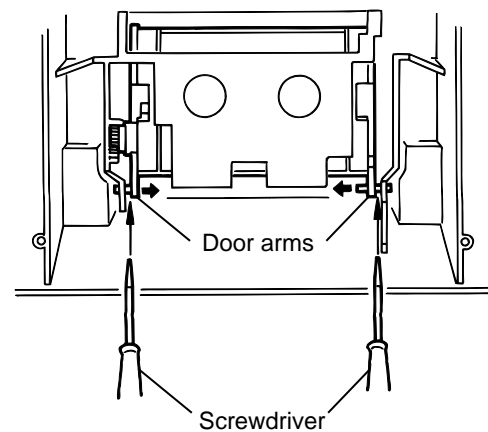


Fig.5

### ※ Reattaching the door spring

1. Reattach the door spring to the cassette door shaft with opening the cassette door.
2. Fit another end of the door spring to the front cabinet rib.
3. Fit the shorter end of the door spring to the cassette door.

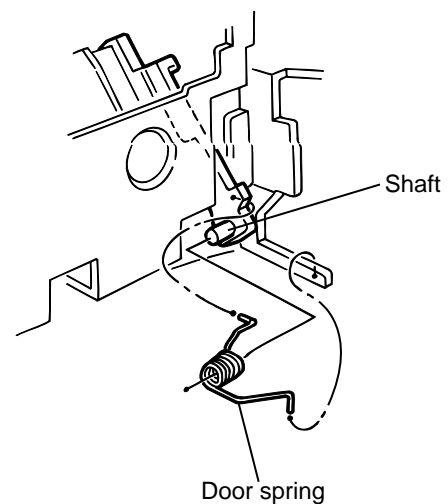


Fig.6

<Rear cabinet assembly>

■ Removing the CD / cassette and amplifier assembly from the rear cabinet  
(See Fig.7 and 8)

• Prior to performing the following procedure, remove the front cabinet assembly and the rear cabinet assembly.

1. For the harness connecting the amplifier board with the power board, disconnect it from connector CN306 on the power board in the right rear cabinet assembly. For the harness connecting the battery terminal wire with the power board, disconnect it from CN307 on the power board.
2. Remove the two screws C on the bottom of the cassette mechanism unit.
3. Release the harnesses from the slot a, b and c and the notch of the main board in the rear cabinet.
4. Remove the CD / cassette and amplifier assembly from the rear cabinet.

※Now the CD / cassette and amplifier assembly is ready to conduct burn-in.

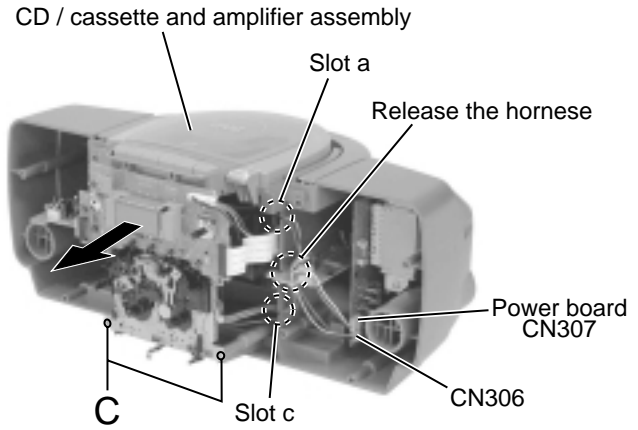


Fig.7

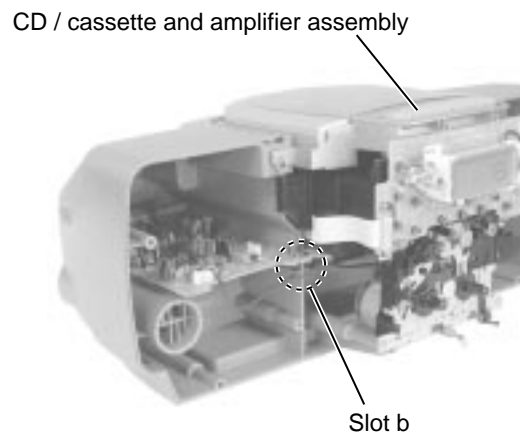


Fig.8

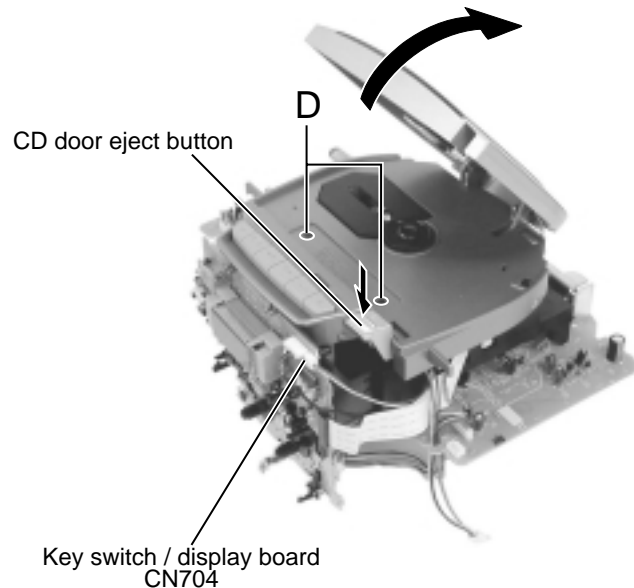


Fig.9



## ■ Removing the CD cover and door unit (See Fig.9 and 10)

- Prior to performing the following procedure, remove the CD / cassette and amplifier assembly.
1. Disconnect the harness from connector CN704 on the key switch / display board (The harness is extending from the door switch board).
  2. Press EJECT button to open the CD door.
  3. Remove the two screws D on the front of the CD cover and door unit.
  4. Raise the front part of the CD cover and door unit and detach upward. Then push the whole unit backward until it comes off.

ATTENTION: At this point, the CD mechanism unit will become removable. So handle the rear cabinet with care.

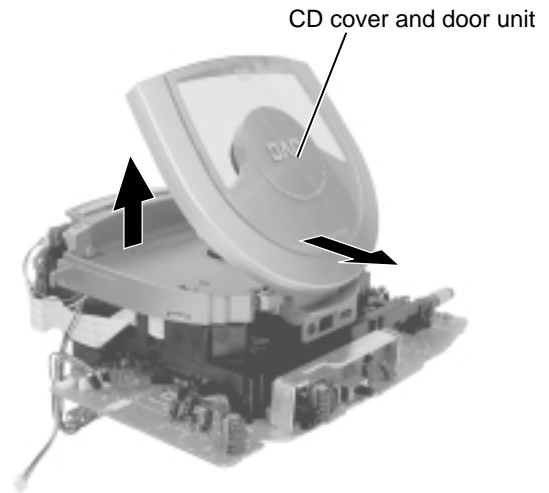


Fig.10

## ■ Removing the CD door switch board (See Fig.11)

- Prior to performing the following procedure, remove the CD cover and door unit.
1. Turn over the CD cover and door unit and gently spread apart the locking tab. Then remove the CD door switch board in the direction of the arrow while releasing it from joint d.

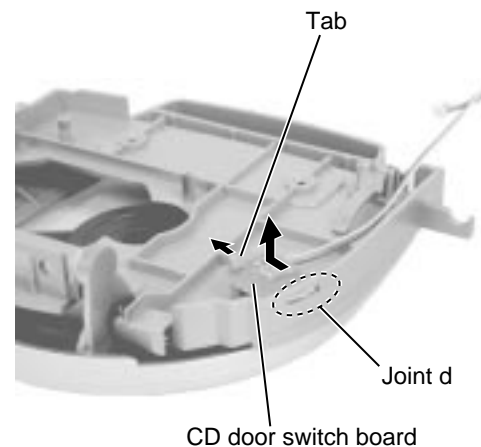


Fig.11

## ■ Removing the key switch / display board (See Fig.12)

- Prior to performing the following procedure, remove the front cabinet assembly and the rear cabinet assembly.
1. Disconnect the card wires from connector CN701, CN702 and CN703, then the harness from CN704 on the key switch / display board.
  2. Remove the four screws E attaching the key switch / display board.
    - ※The key switch / display board can be removed even if the mechanism cover is attached.

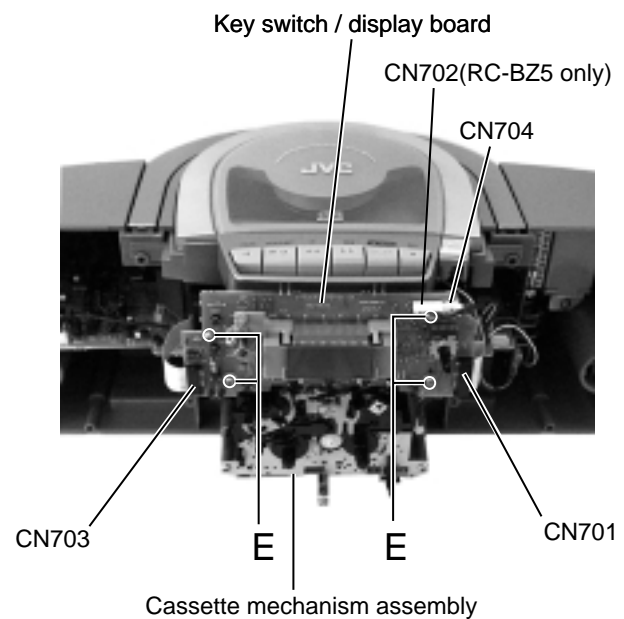


Fig.12

### ■Removing the cassette mechanism assembly (See Fig.13 to 15)

- Prior to performing the following procedure, remove the CD / cassette and amplifier assembly, the CD cover and door unit and disconnect the harnesses connected to the key switch / display board.

- The cassette mechanism cover is still attached.

1. Push inward the locking tabs e on both sides of the cassette mechanism cover and remove the mechanism cover in the direction of the arrow.
2. Disconnect the harnesses from connector CN301 and CN308 on the main board.
3. Remove the upper two screws F and the cassette mechanism assembly toward the front.

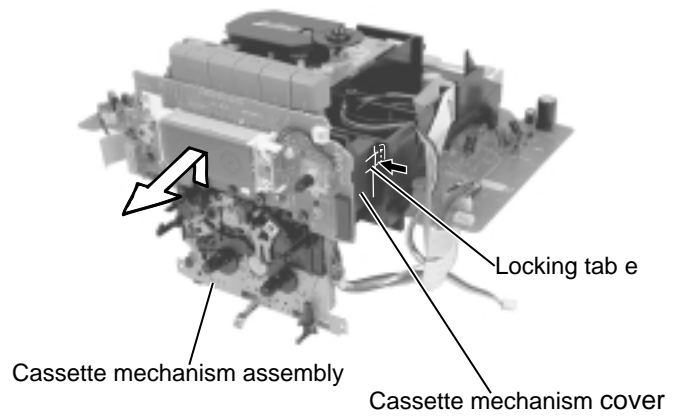


Fig.13

### ■Removing the CD mechanism assembly (See Fig.16)

- Prior to performing the following procedure, remove the CD / cassette and amplifier assembly, the CD cover and door unit.

1. Disconnect the harness from connector P011 on the motor board in the lower part of the CD mechanism assembly. Then disconnect the pickup card wire from CN601 on the main board.
2. Remove the CD mechanism assembly upward.

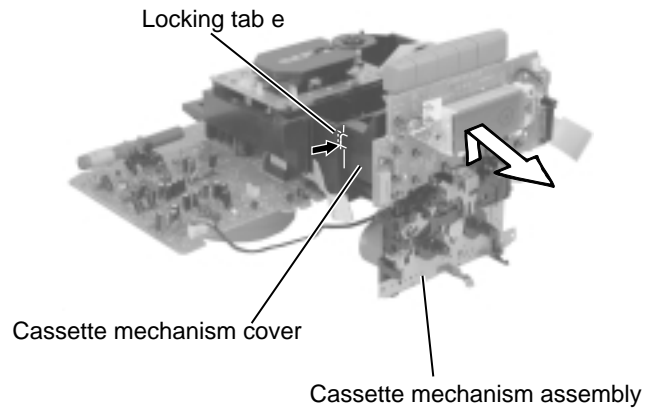


Fig.14

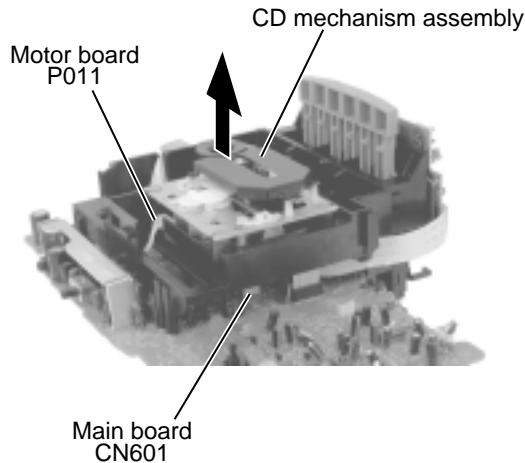


Fig.16

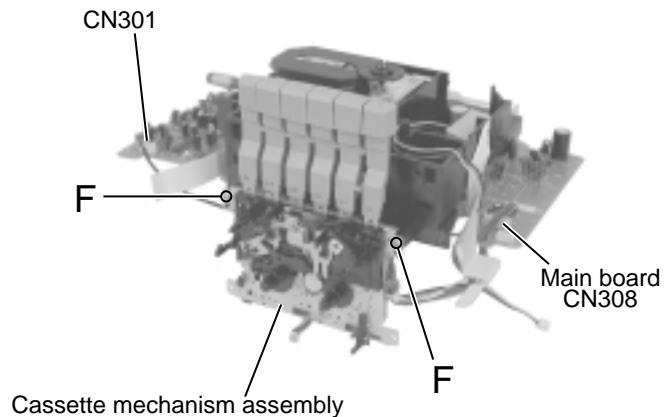


Fig.15

## ■ Removing the main board (See Fig.17 to 19)

• Prior to performing the following procedure, remove the CD / cassette and amplifier assembly, the CD cover and door unit and the CD mechanism assembly.

1. Disconnect the harnesses from connector CN301 and CN308 on the main board (The harnesses are extending from the cassette mechanism assembly).
2. Disconnect the harness from connector CN702 on the key switch/display board (RC-BZ5 only).
3. Remove the two screws G on the underside of the main board and release the two joint tabs f from the chassis in the direction of the arrow.

**ATTENTION:** When reassembling, get the harness extending from FW301 and FW302 on the main board through the two slots g of the chassis. Get the card wire extending from CN304 on the main board through the hook h and the slot i.

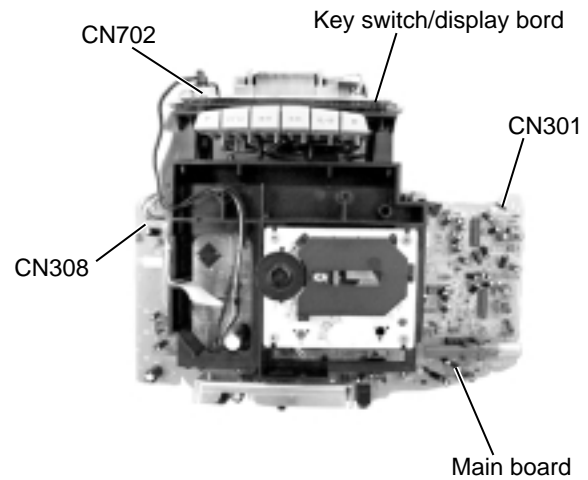


Fig.17

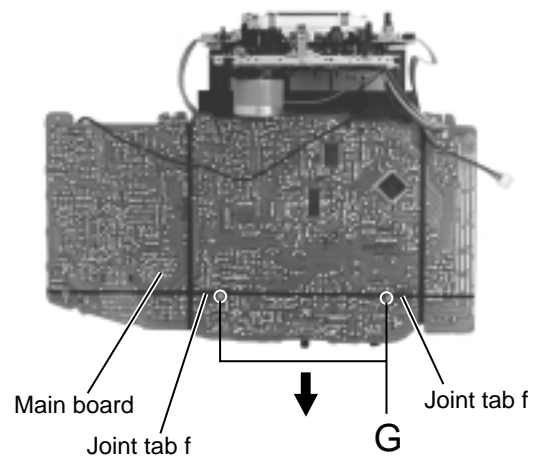


Fig.18

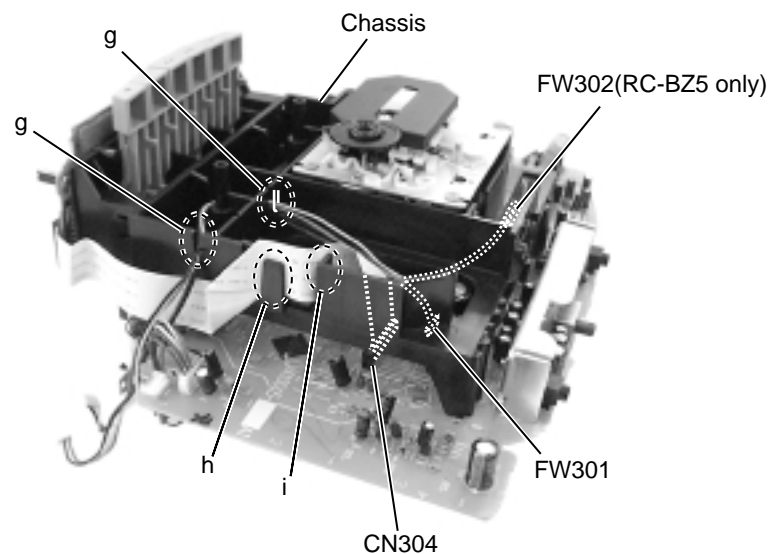


Fig.19

**■Removing the power transformer assembly (See Fig.20)**

• Prior to performing the following procedure, remove the front cabinet assembly and the rear cabinet assembly.

1. Disconnect the harnesses from connector CN306 and CN307 on the power board in the power transformer assembly.
2. Remove the two screws H attaching the AC jack of the power board and the two screws I attaching the power transformer. Remove the power transformer assembly toward the front.

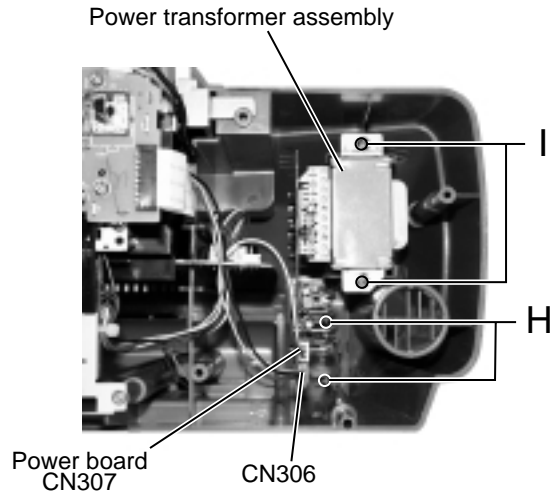


Fig.20

**■Removing the battery board (See Fig.21 and 22)**

• Prior to performing the following procedure, remove the front cabinet assembly and the rear cabinet assembly.

1. Disconnect the battery terminal wire from connector CN307 on the power board.
2. Remove the battery board on the back of the rear cabinet.

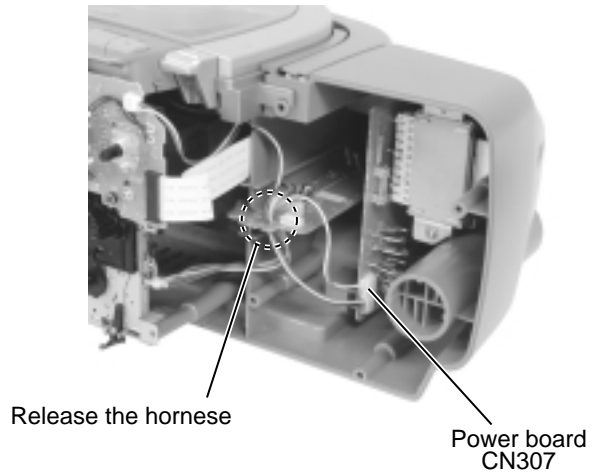


Fig.21

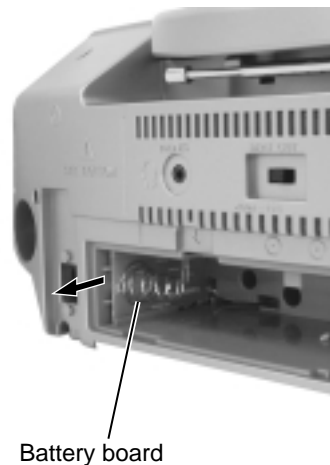


Fig.22

<Cassette mechanism section>

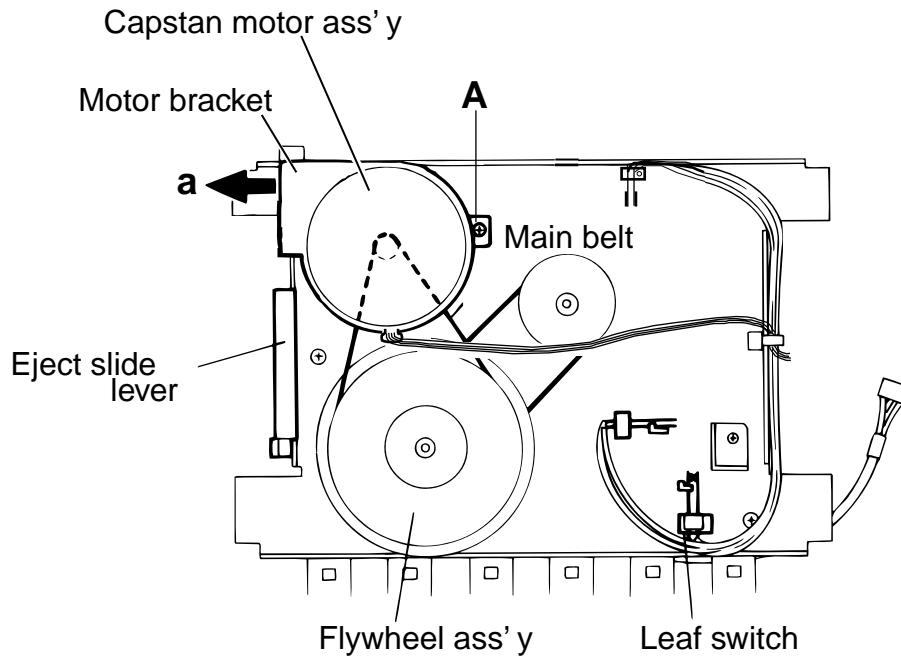


Fig.1

■ **Capstan motor** (Fig.1)

1. Remove the cassette mechanism assembly. (Refer to the article "Cassette mechanism assembly" appearing on a previous page.)
2. Remove one screw A retaining the capstan motor assembly from the back of the cassette mechanism assembly.
3. Disengage the main belt from the flywheel assembly. Then slide the capstan motor slightly in the direction of the arrow a while lifting it upwards to remove together with the main belt.

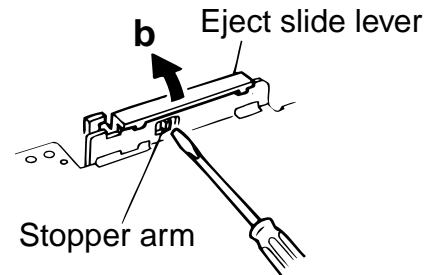


Fig.2

■ **Eject slide lever** (Fig.2)

1. Place the cassette mechanism back side frontward and disengage the stopper arm b of the Eject slide lever by pressing it inwards through the opening of the chassis with a small screwdriver as shown in Fig.2.

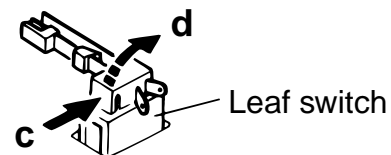


Fig.3

■ **Leaf switch** (Fig.3)

1. Press the leaf switch in the direction of the arrow c and then remove it in the direction of the arrow d referring to Fig.3.

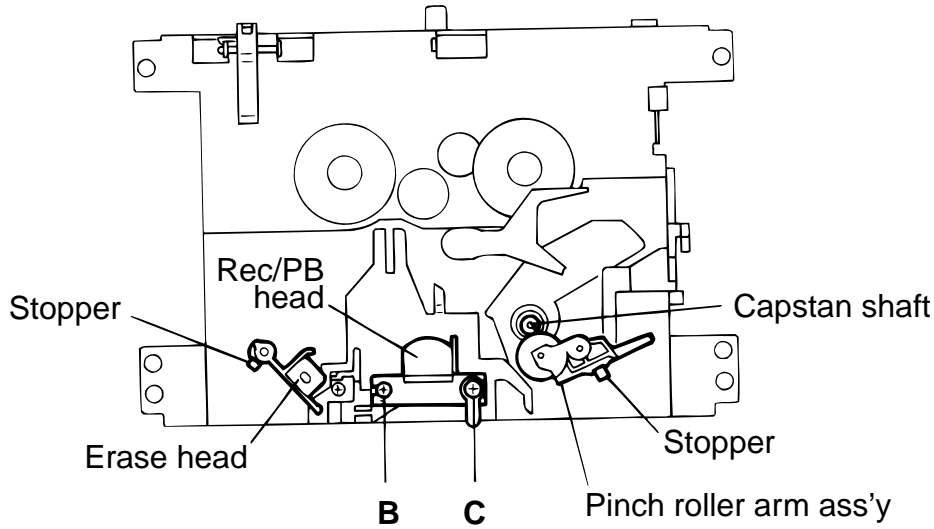


Fig.4

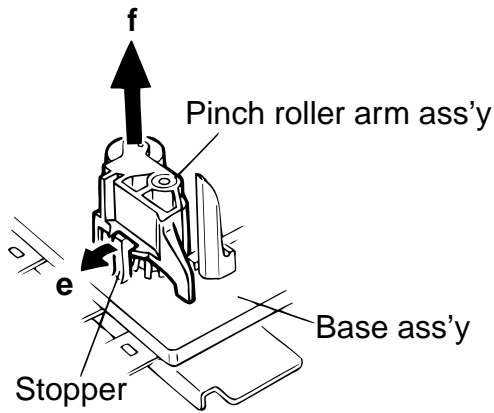


Fig.5

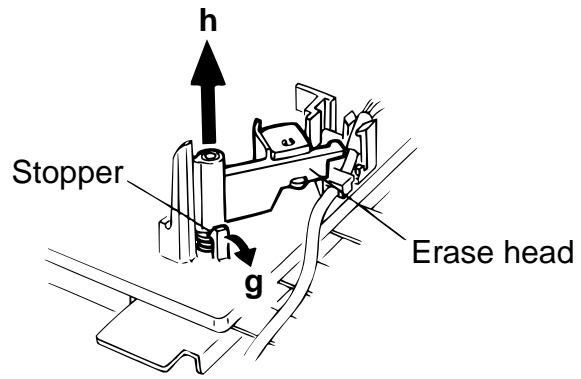


Fig.6

■ **Pinch roller arm assembly** (Fig.4 to 5)

1. Pull out the stopper protruding from the base assembly in the direction of the arrow e to remove it from the pinch roller arm assembly.
2. Then, pull out the pinch roller arm assembly in the direction of the arrow f.

■ **Rec/PB head and erase head** (Fig.4 to 6)

1. Remove two screws B, C retaining the Rec/PB head.
2. Pull out the stopper of the erase head in the direction of the arrow g.
3. Pull out the erase head in the direction of the arrow h.

■ **Flywheel assembly** (Fig.7)

1. Remove the split washer retaining the flywheel assembly in the direction of the arrow i.
2. Pull the flywheel assembly out of the back side of the cassette mechanism assembly in the direction of the arrow j.

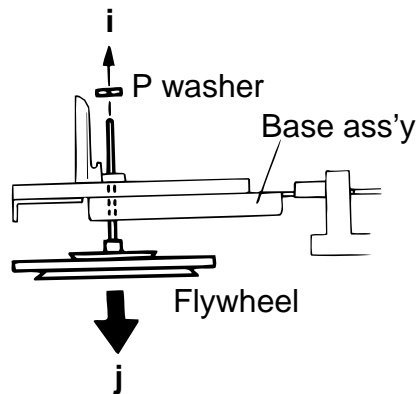


Fig.7

# Adjustment method

## ■ Test Instruments required for adjustment

1. Low frequency oscillator  
(Frequency range: 50Hz to 20kHz)  
(Output: 0 dBs across 600 Ω terminating resistor)
2. Attenuator(Impedance: 600 Ω)
3. Test Tapes  
VT712 ----- For tape speed, wow & flutter check  
VT722, 724 ----- For playback, output level check  
VT738 ----- For playback frequency response check  
VT702 ----- For head azimuth adjustment
4. Blank tape TYPE1:AC-225
5. Electronic voltmeter
6. Distortion meter
7. Frequency counter
8. Wow and flutter meter
9. Torque gauge(Cassette type) ----- CTG – N
10. Test disc-----CTS1000
11. Jitter meter-----NJM631
12. TE Offset-----LTM9055

## ■ Measuring conditions(Amplifier section)

Supply voltage ----- AC120V(60Hz)  
----- DC12V(UM-1 x 8)

Reference output level    Speaker  
  : 0 dBs(0.775V) / 3 Ω  
  Headphone  
  : -10 dBs(0.245V) / 32 Ω

Reference input level  
  : -20 dBs supplied to test point CN1

Standard test frequency ----- 1kHz

Output measuring point ----- Speaker terminal  
  :Dummy load 3 Ω

### ● Standard position of switches

Function switch ----- TAPE  
Beat cut switch ----- NORMAL

### ● Standard position of controls

Tone ----- Maximum position  
Main volume adjust ----- 0 dBs output position

## ● Test remarks

1. Negative side of the input and output terminals of the testing set, shall be isolated from each other. The negative side should not be commonly connected when a 2channel electronic voltmeter is connected.
2. A dummy load shall be connected to the output terminal and the lead wires of dummy load shall be as thick as possible.

## ■ Measuring condition(Tuner section)

Power supply voltage to tuner ----- Vcc: DC 6V  
Reference output ----- Speaker: 0.245V/3 Ω  
AM modulation ----- 400Hz, 30%  
FM modulation ----- 400Hz, deviation 22.5kHz

## ● Remarks for alignment

1. Connect 30 pF capacitor and 33k Ω resistor to the output terminal of the IF sweeper in series while 0.082 μ F capacitor and 100k Ω resistor to the input terminal in series.
2. Set the output level of the IF sweeper as low as adjustable.
3. IF alignment is not necessary for both AM and FM MPX alignment is not necessary either. All IFTs and MPX coil are non-adjusting type.

■ **Cassette amplifier section**

Item	Conditions	Adjustment & Confirmation Method	Standard Value	Adjusting Point
Head azimuth adjustment	<ul style="list-style-type: none"> <li>• Test tape: VT702(8 kHz)</li> <li>• Test output from: Speaker terminal (with 3 Ω load)</li> </ul>	<ol style="list-style-type: none"> <li>1. Play back the test tape VT702 (8 kHz signal).</li> <li>2. Adjust the azimuth adjusting screw so that phase difference between R and L channels is minimum with the output level that is the maximum level plus less than 2 dB in the FWD and REV mode. After the adjustment apply screw sealant onto the azimuth adjusting screw for more than half the screw head.</li> <li>3. If the head azimuth is still maladjusted, re-adjust it with the azimuth adjusting screw alternately in the FWD and REV modes.</li> </ol>	<ul style="list-style-type: none"> <li>• Output: Max. level plus less than 2 dB</li> <li>• Phase difference between R &amp; L ch: Minimum</li> </ul>	Azimuth adjusting screw (after head replacement only)
Tape speed, Wow & flutter check	<ul style="list-style-type: none"> <li>• Function selector: TAPE</li> <li>• Test tape: VT712 (3 kHz)</li> <li>• Test output from: Speaker terminal (with 3 Ω load)</li> </ul>	<ol style="list-style-type: none"> <li>1. Play back the end portion of the test tape VT712 (3 kHz signal).</li> <li>2. At that time check to see if the frequency counter reads 2940 to 3090 Hz. If not, adjust the semi-fixed resistor inside the motor to obtain the specified frequency.</li> <li>3. Wow and flutter must be 0.38 % or less (unweighted).</li> </ol>	<p>Frequency: 2940-3090 Hz</p> <p>0.38 % or less (unweighted)</p>	Tape speed (with semi-fixed resistor inside motor)
Playback output check	<ul style="list-style-type: none"> <li>• Function selector: TAPE</li> <li>• Test tape: VT722, VT724 (1 kHz)</li> <li>• Test output from: Speaker terminal (with 3 Ω load)</li> </ul>	<ol style="list-style-type: none"> <li>1. With the test tape VT722 (1 kHz signal) being played back, confirm that the speaker output is 2.1 W or more with 10 % distortion.</li> <li>2. With the test tape VT724 being played back, confirm that the deviation between R-ch and L-ch outputs is less than 3 dB.</li> </ol>	<ul style="list-style-type: none"> <li>• Speaker output with 10 % distortion: 2.1W or more</li> <li>• Deviation between R &amp; L ch outputs: 3 dB or less</li> </ul>	
Playback frequency response check	<ul style="list-style-type: none"> <li>• Function selector: TAPE</li> <li>• Test tape: VT738</li> <li>• Test output from: Speaker terminal (with 3 Ω load)</li> </ul>	With the test tape VT738 being played back, confirm that the deviation between 1 kHz and 125 Hz signals is $6 \pm 3$ dB and that between the 1 kHz and 8 kHz signals is $0 \pm 4$ dB.	<ul style="list-style-type: none"> <li>• Deviation between 1 kHz &amp; 125 Hz: <math>6 \pm 3</math> dB</li> <li>• Deviation between 1 kHz &amp; 8 kHz: <math>0 \pm 4</math> dB</li> </ul>	
REC/PB sensitivity check	<ul style="list-style-type: none"> <li>• Function selector: TAPE</li> <li>• Mode: Recording</li> <li>• Test input to: CN301</li> </ul>	With the input of 1 kHz, -20 dBs signal to the test point CN301, confirm that the level difference between the recording and playback is $0 \pm 3$ dB or less.	<ul style="list-style-type: none"> <li>• Level difference between REC &amp; PB: <math>0 \pm 3</math> dB or less</li> </ul>	



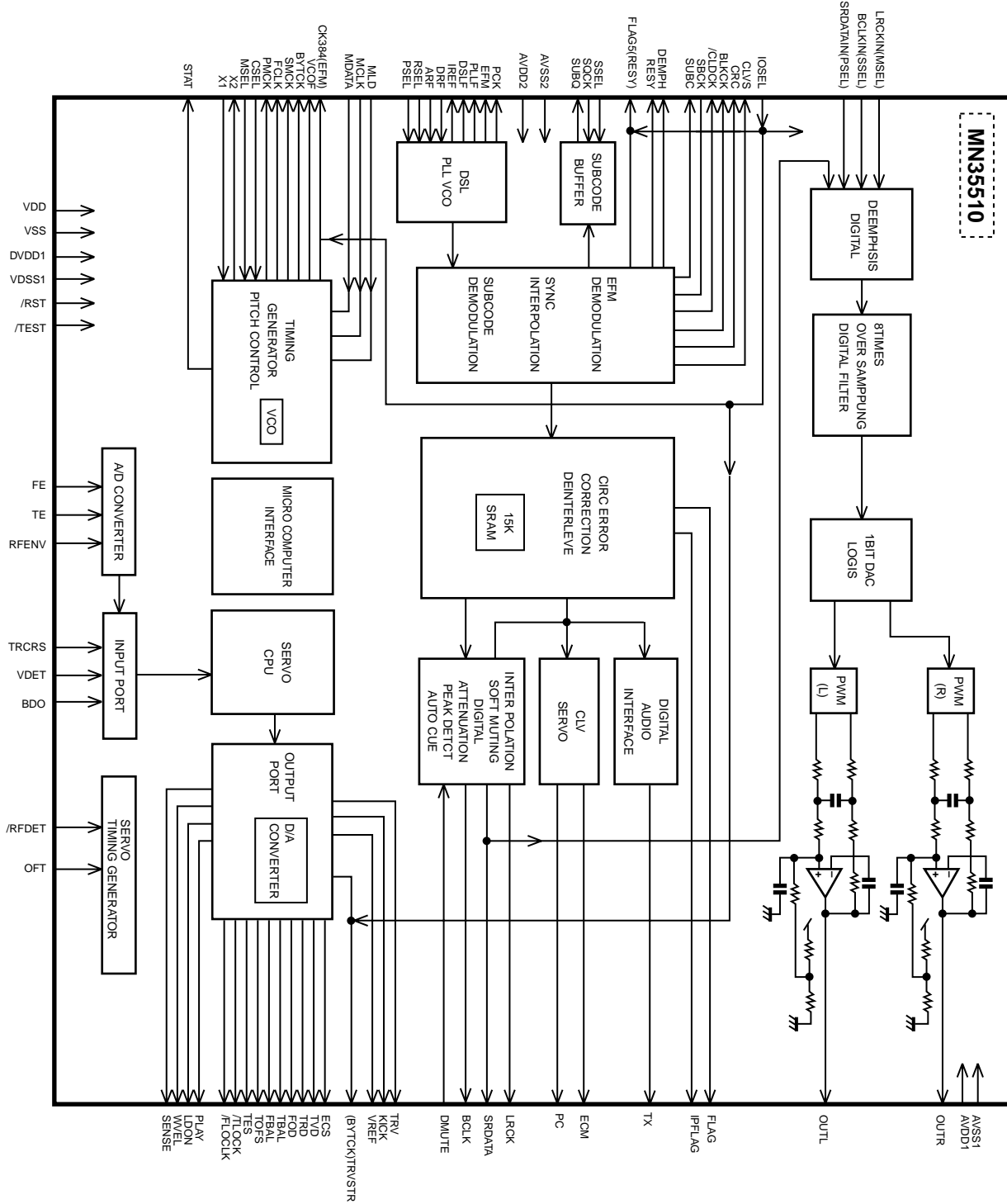
■ Tuner sections

Item	Conditions	Adjustment & Confirmation Methods	Stand. values	Adjust
FM, AM IF adjustment  MPX adjustment  FM tracking adjustment		☆ Since a solid IF is being used, no adjustment is required.  ☆ Since a ceramic resonator is being used, no adjustment is required.  ☆ Since a fixed coil is being used, no adjustment is required.		

# Description of major IC's

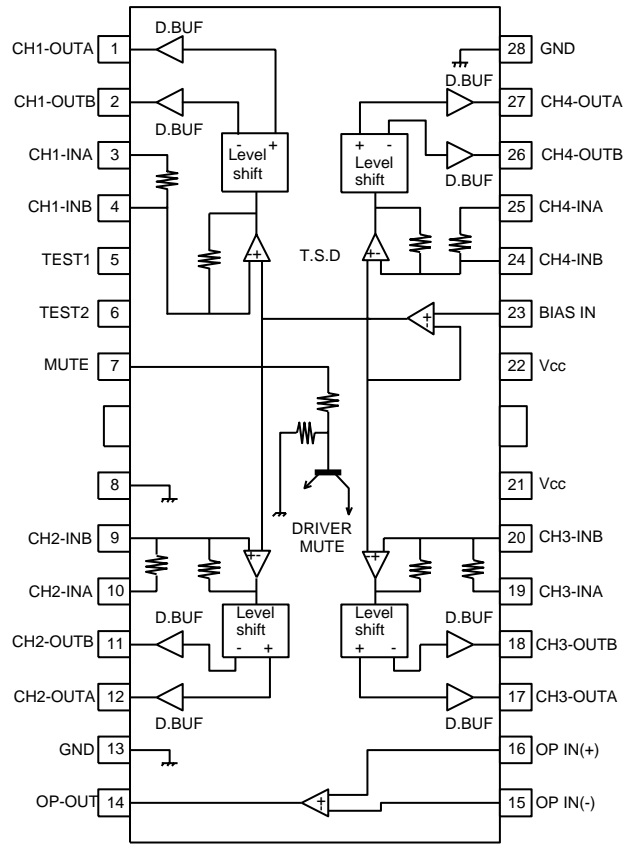
## ■ MN35510 (IC603) : Digital servo & digital signal processor

### 1. Block diagram



■ BA6897FP (IC602) : 4channel driver

1. Terminal layout & Block diagram

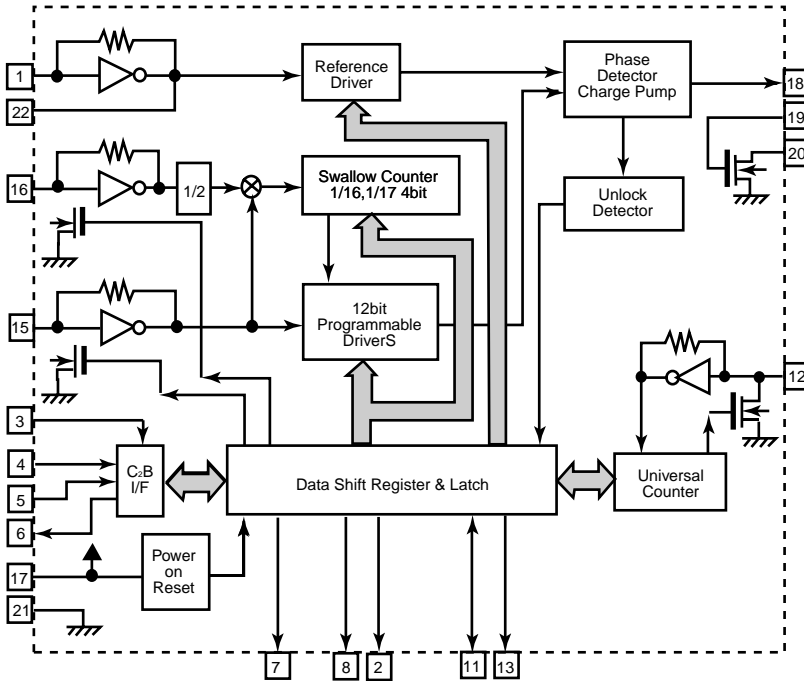


■ LC72136N (IC2) : PLL Frequency synthesizer

1. Terminal layout

XT	1	22	X $\bar{T}$
FM/AM	2	21	GND
CE	3	20	LPFOUT
DI	4	19	LPFIN
CLOCK	5	18	PD
DO1	6	17	VCC
FM ST VCO STOP	7	16	FMIN
AM/FM	8	15	AMIN
NC	9	14	NC
NC	10	13	IFCONT
SDIN	11	12	IFIN

2. Block diagram

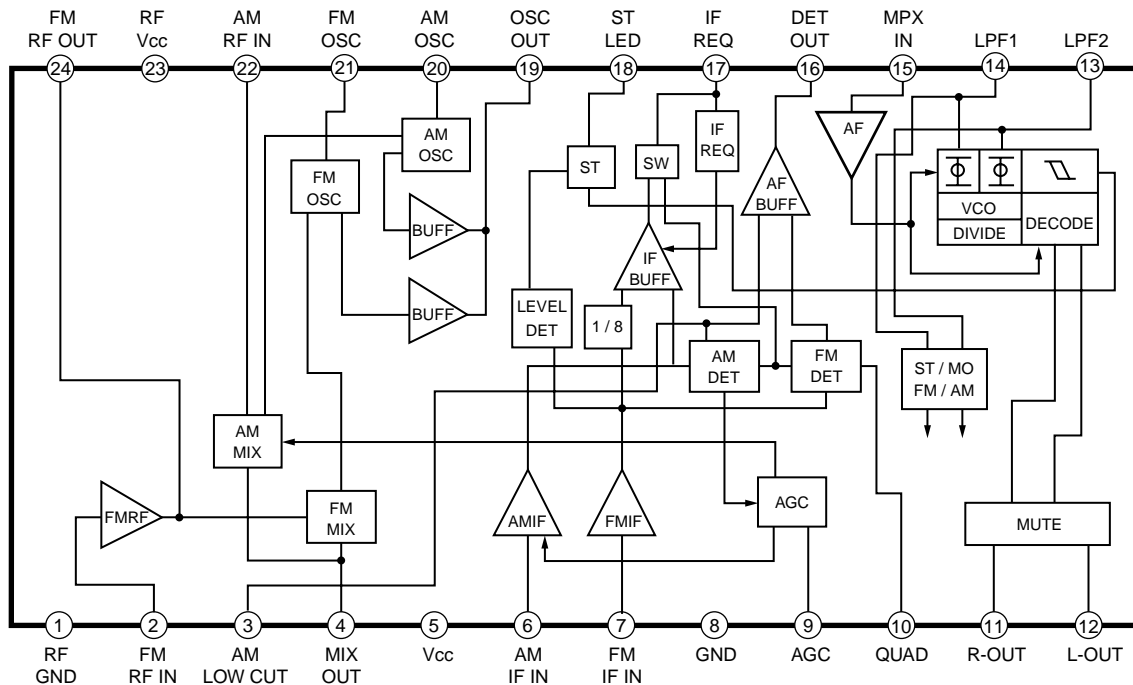


3. Pin function

Pin No.	Symbol	I/O	Function	Pin No.	Symbol	I/O	Function
1	XT	I	X'tal oscillator connect (75KHz)	12	IFIN	I	IF counter signal input
2	FM/AM	O	LOW:FM mode (Not use)	13	IFCONT	O	IF signal output
3	CE	I	When data output/input for 4pin(input) and 6pin(output): H	14	NC	-	Not use
4	DI	I	Input for receive the serial data from controller	15	AMIN	I	AM Local OSC signal output
5	CLOCK	I	Sync signal input use	16	FMIN	I	FM Local OSC signal input
6	DO1	O	Data output for Controller Output port	17	VCC	-	Power supply(VDD=4.5~ 5.5V) When power ON:Reset circuit move
7	FM ST VCO STOP	O	"Low": MW mode	18	PD	O	PLL charge pump output(H: Local OSC frequency Height than Reference frequency. L: Low Agreement: Height impedance)
8	AM/FM	O		19	LPFIN	I	Input for active lowpassfilter of PLL
9	NC	-	Not use	20	LPFOUT	O	Output for active lowpassfilter of PLL
10	NC	-	Not use	21	GND	-	Connected to GND
11	SDIN	I/O	Data input/output (Not use)	22	X $\bar{T}$	I	X'tal oscillator(75KHz)

■ TA2104AN (IC1) : AM/FM 1 chip tuner IC

1. Terminal layout & Block diagram



2. Pin function

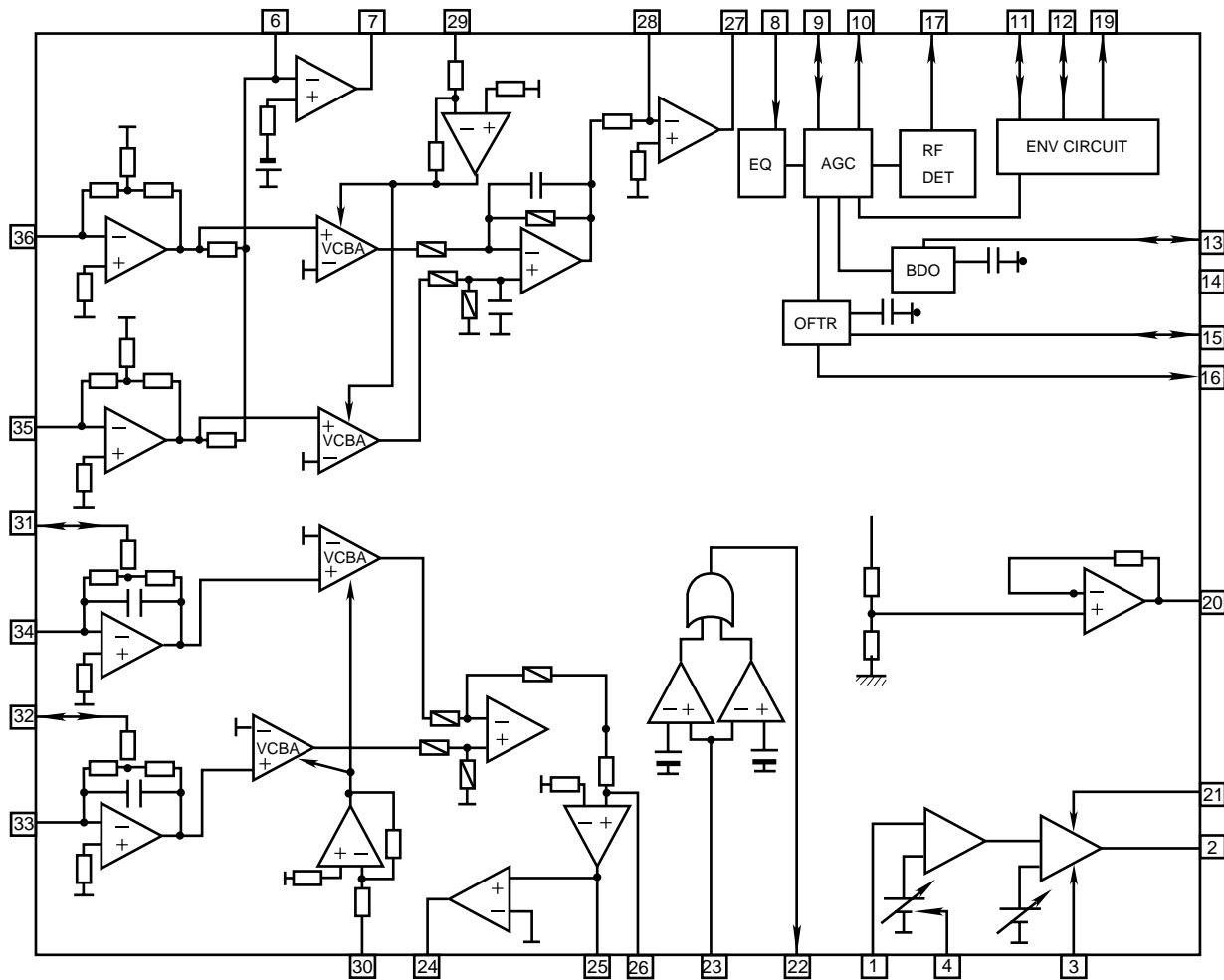
Pin	Pin Name	Function
1	RF GND	RF Stage ground
2	FM RF IN	FM RF Input
3	AM LOW CUT	AM Low Frequency Cut Filter External Component
4	MIX OUT	Mixer Output
5	Vcc	Power Supply
6	AM IF IN	AM IF Amplifier Input
7	FM IF IN	FM IF Amplifier Input
8	GND	Ground
9	AGC	AM AGC External Capacitor
10	QUAD	FM Quadrature Detector Terminal
11	R-OUT	Audio output CH-R
12	L-OUT	Audio output CH-L
13	LPF2	LPF Terminal for Phase Detector / AM, FM Switching
14	LPF1	LPF Terminal for Synchronous Detector / VCO Stop
15	MPX IN	FM MPX Input
16	DET OUT	AM/FM Detector Output
17	IF REQ	IF Output / IF Request control
18	ST LED	FM Stereo Indicator Output
19	OSC OUT	Local Oscillator Output
20	AM OSC	AM Oscillator
21	FM OSC	FM Oscillator
22	AM RF IN	AM RF Input
23	RF Vcc	RF Stage Vcc
24	FM RF OUT	FM RF Amplifier Output

■ AN8806SB (IC601) : RF & Servo amplifier

1. Terminal layout

PD	1	36	PDAC
LD	2	35	PDBD
LDON	3	34	PDF
LDP	4	33	PDE
VCC	5	32	PDER
RF-	6	31	PDFR
RFOUT	7	30	TBAL
RFIN	8	29	FBAL
C.AGC	9	28	FE-
ARF	10	27	FEOUT
C.ENV	11	26	TE-
C.EA	12	25	TEOUT
CSBDO	13	24	CROSS
BDO	14	23	TEBPF
CSBRT	15	22	VDET
OFTR	16	21	LDOFF
/NRFDET	17	20	VREF
GND	18	19	ENV

2. Block diagram



## 3. Pin function

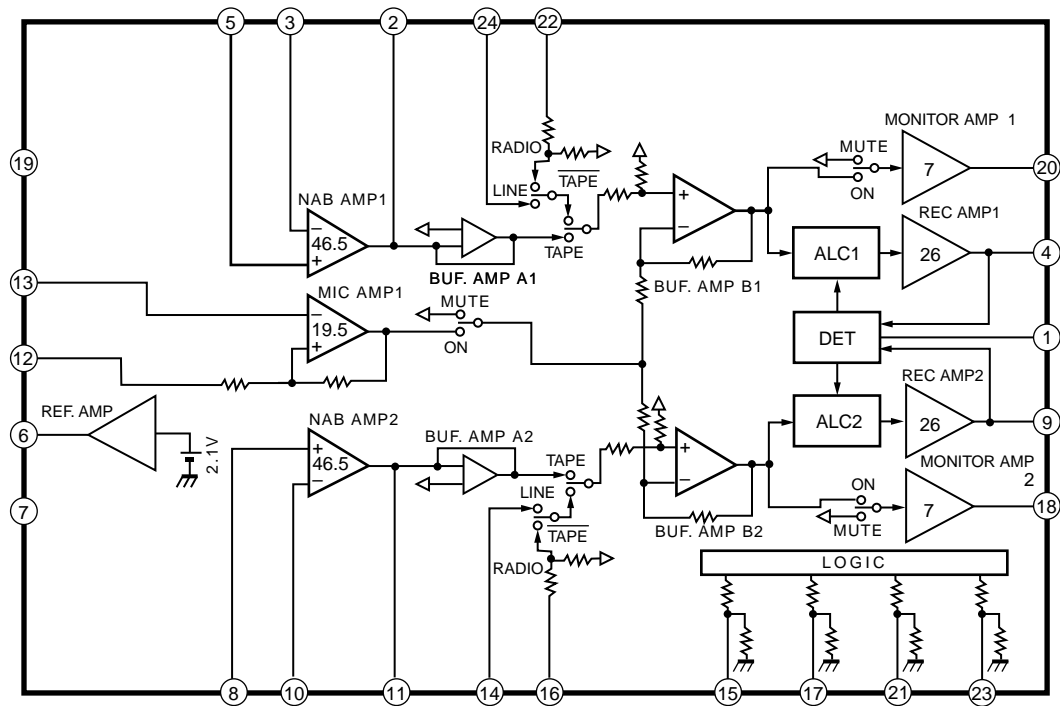
Pin No.	Symbol	I/O	Function
1	PD	I	APC amp input terminal
2	LD	O	APC amp output terminal
3	LDON	I	APC ON/OFF control terminal
4	LDP	--	Connect to ground
5	VCC	--	Power supply
6	RF-	I	Inverse input pin for RF amp
7	RFOUT	O	RFamp output
8	RFIN	I	RF input
9	C.AGC	I/O	Connecting pin of AGC loop filter
10	ARF	O	RF output
11	C.ENV	I/O	A capacitor is connected to this terminal to detect the envelope of RF signal
12	C.EA	I/O	A capacitor is connected to this terminal to detect the envelope of RF signal
13	CSBDO	I/O	A capacitor is connected to detect the lower envelope of RF signal
14	BDO	O	BDO output pin
15	CSBRT	I/O	A capacitor is connected to detect the lower envelope of RF signal
16	OFTR	O	Of-track status signal output
17	/NRFDET	O	RF detection signal output
18	GND	--	Ground
19	ENV	O	Envelope output
20	VREF	O	Reference voltage output
21	LDOFF	I	
22	VDET	O	Vibration detection signal output
23	TEBPF	I	Input pin of tracking error through BPF
24	CROSS	O	Tracking error cross output
25	TEOUT	O	Tracking error signal output
26	TE-	I	Inverse input pin for tracking error amp
27	FEOUT	O	Output pin of focus error
28	FE-	I	Inverse input pin for focus error amp
29	FBAL	I	Focus balance control
30	TBAL	I	Tracking balance control
31	PDFR	I/O	F I-V amp gain control
32	PDER	I/O	E I-V amp gain control
33	PDE	I	I-V amp input
34	PDF	I	I-V amp input
35	PDBD	I	I-V amp input
36	PDAC	I	I-V amp input

■ TA2068N (IC301) : Rec/PB. amplifier

1. Terminal layout

AGC	1	24	RAIN1
PBO1	2	23	MICSEL
PBNF1	3	22	CDIN1
REC1	4	21	P/R
PBIN1	5	20	OUT1
VREF	6	19	VCC
VSS	7	18	OUT2
PBIN2	8	17	SEL
REC2	9	16	CDIN2
PBNF2	10	15	TAPE
PBO2	11	14	RAIN2
MICNF	12	13	MICIN

2. Block diagram





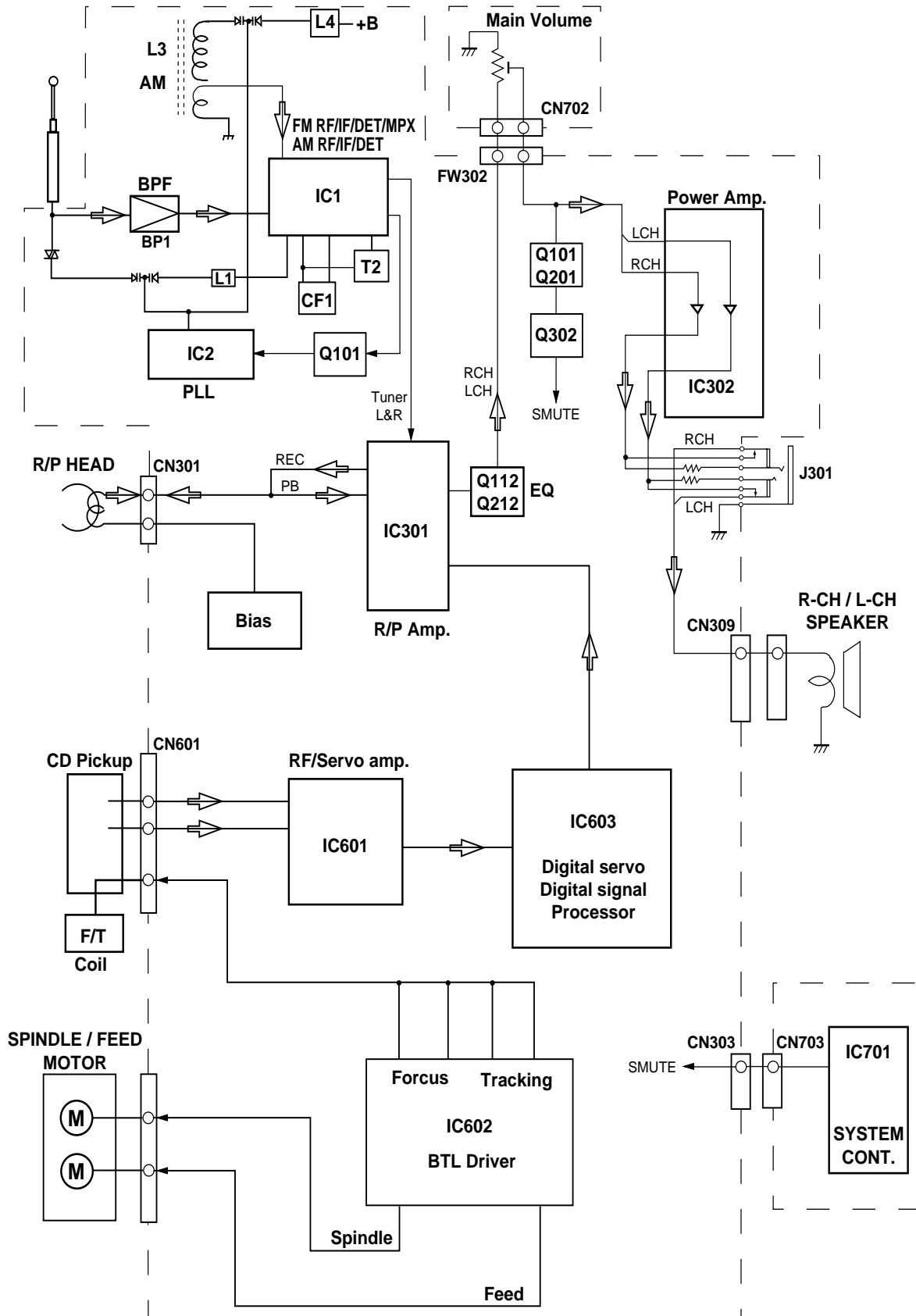
**JVC**

VICTOR COMPANY OF JAPAN, LIMITED

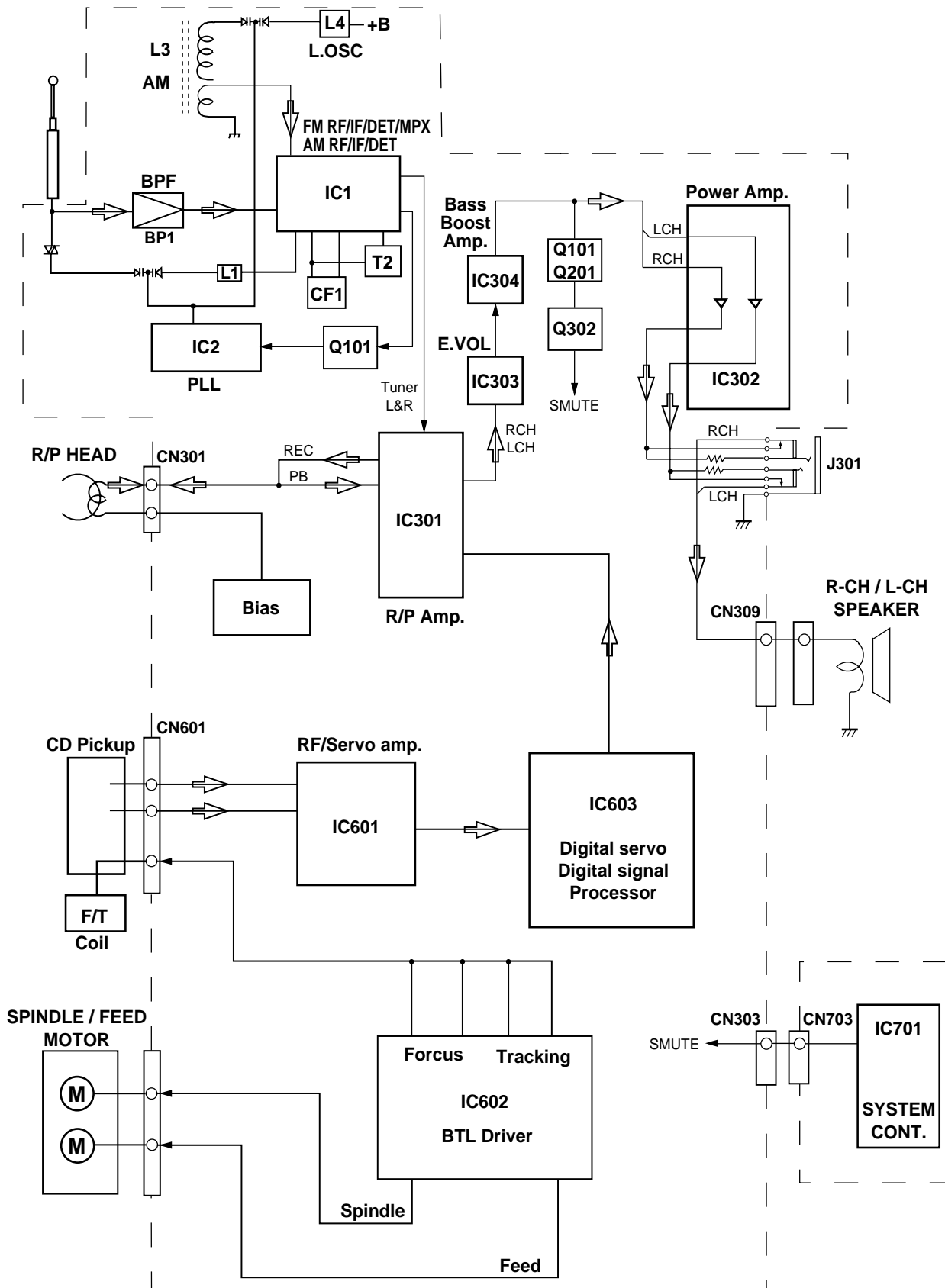
AUDIO & COMMUNICATION BUSINESS DIVISION

PERSONAL & MOBILE NETWORK B.U. 10-1,1Chome,Ohwatari-machi,Maebashi-city,371-8543,Japan

# Block diagrams (RC-BZ5LB/BZ5RD)

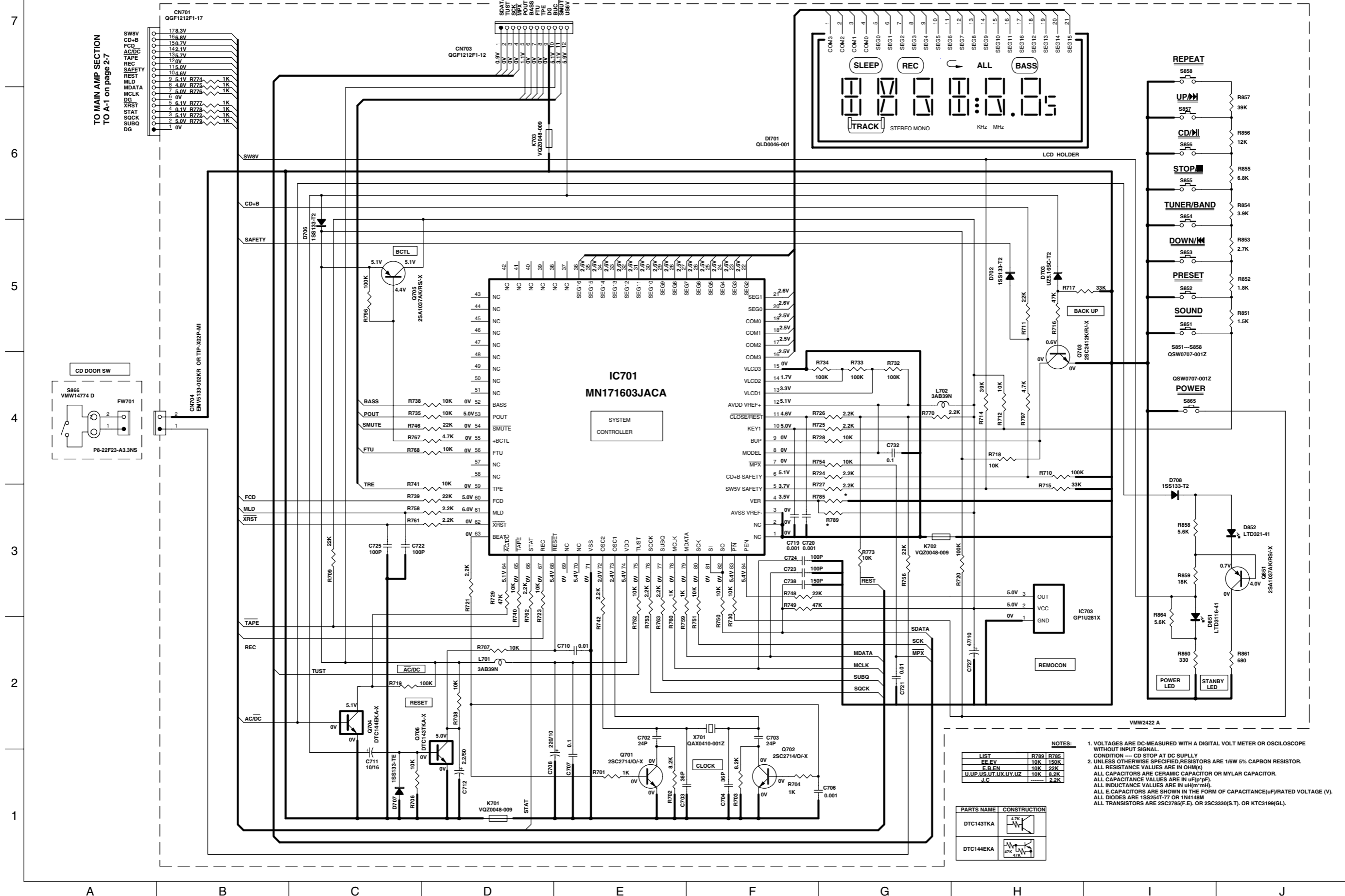


# Block diagrams (RC-BZ6BU)



# Standard schematic diagrams

## System control circuit (RC-BZ5LB/BZ5RD only)



**NOTES:**

- VOLTAGES ARE DC-MEASURED WITH A DIGITAL VOLT METER OR OSCILSCOPE WITHOUT INPUT SIGNAL.  
CONDITION --- CD STOP AT DC SUPPLY
- UNLESS OTHERWISE SPECIFIED, RESISTORS ARE 1/6W 5% CAPBON RESISTOR.  
ALL INDUCTANCE VALUES ARE IN OHM(S)  
ALL CAPACITORS ARE CERAMIC CAPACITOR OR MYLAR CAPACITOR.  
ALL CAPACITANCE VALUES ARE IN uF(p/pF).  
ALL INDUCTANCE VALUES ARE IN uH(m/mH).  
ALL E-CAPACITORS ARE SHOWN IN THE FORM OF CAPACITANCE(uF)/RATED VOLTAGE (V).  
ALL DIODES ARE 1S5254T-77 OR 1N4148M  
ALL TRANSISTORS ARE 2SC2785(F.E.) OR 2SC3330(S.T.) OR KTC3199(GL).

PARTS NAME	CONSTRUCTION
DTC143TKA	
DTC144EKA	

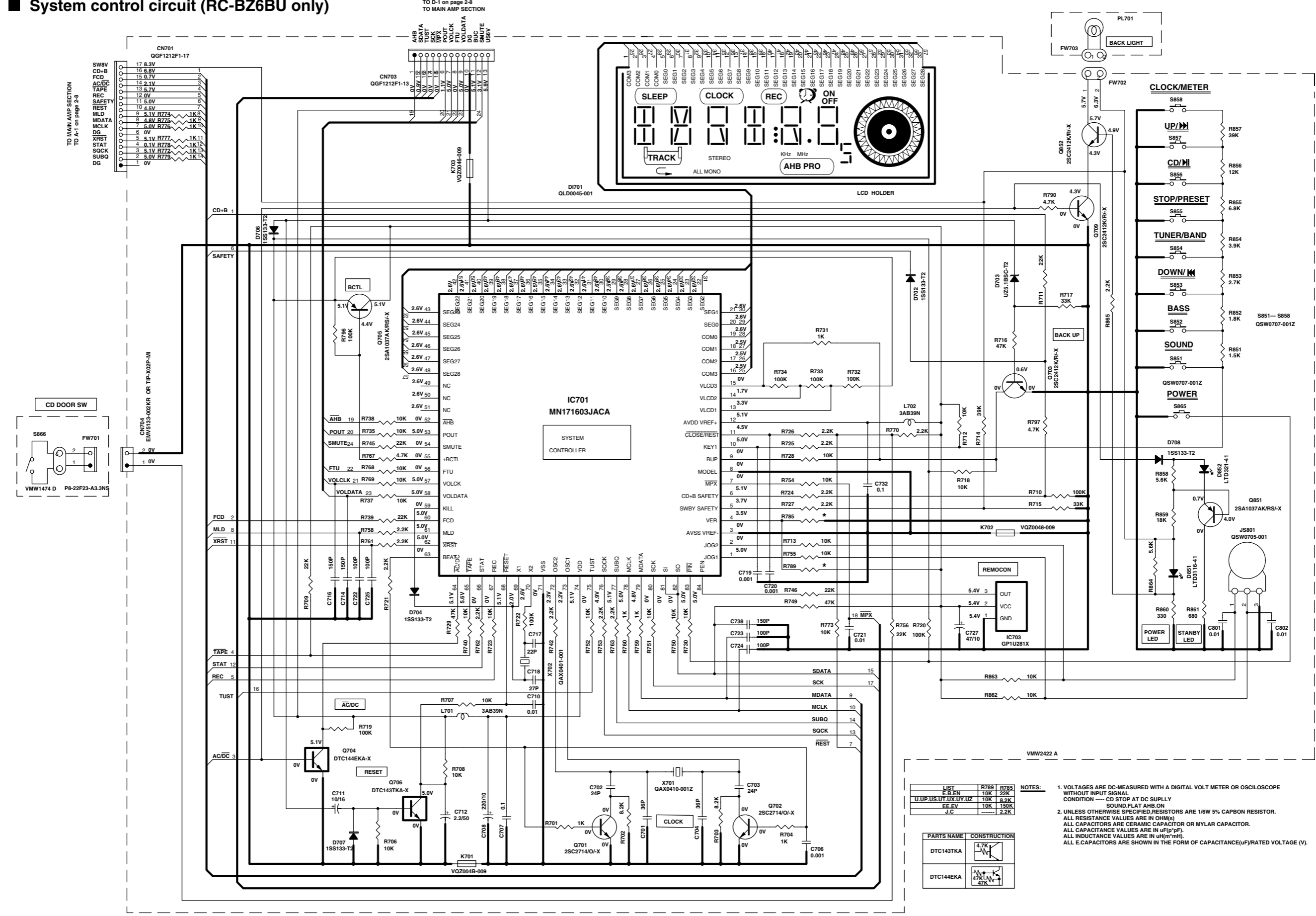
7  
6  
5  
4  
3  
2  
1

A B C D E F G H I J

RC-BZ5LB/BZ5RD  
RC-BZ6BU

■ System control circuit (RC-BZ6BU only)

7  
6  
5  
4  
3  
2  
1



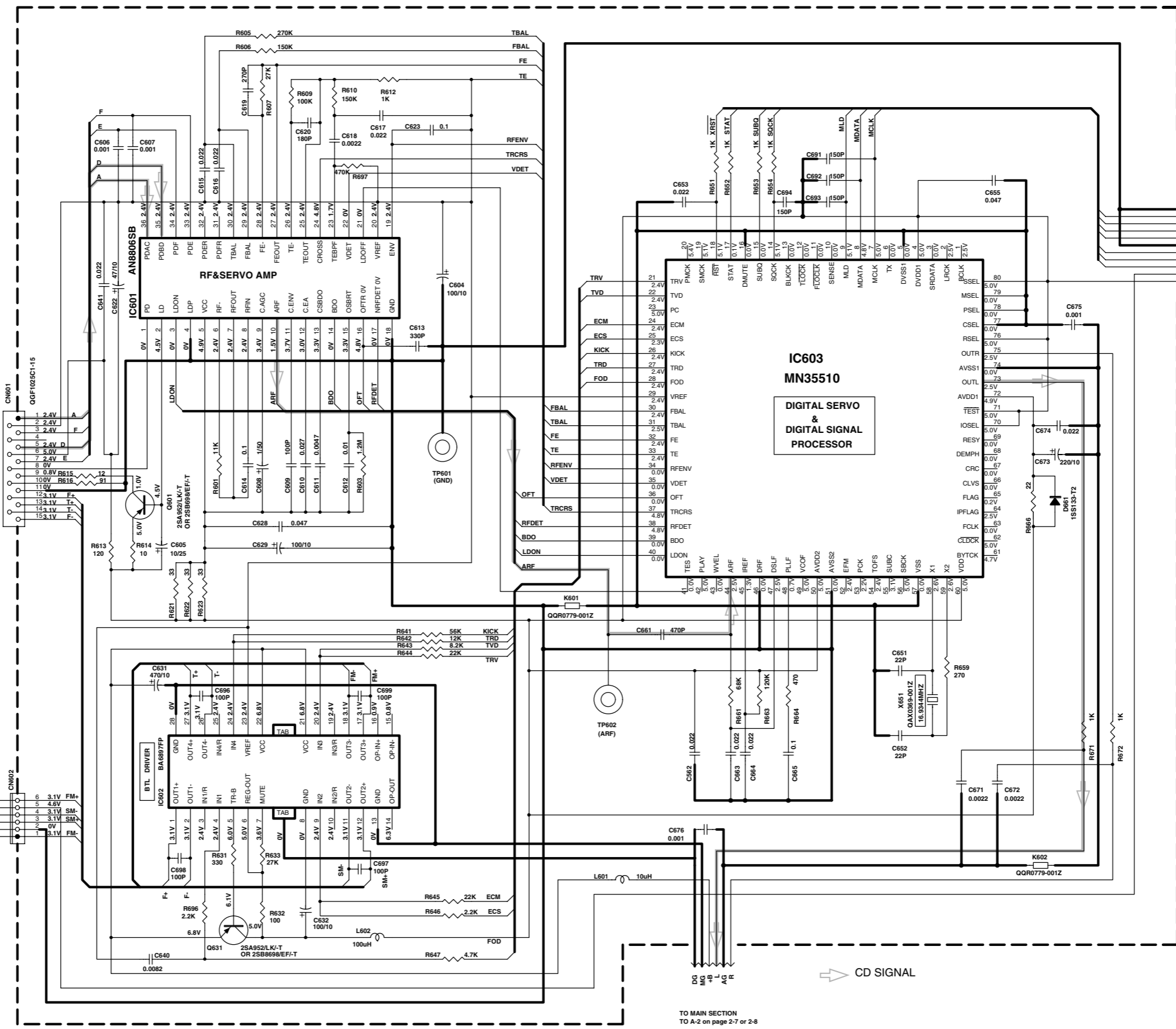
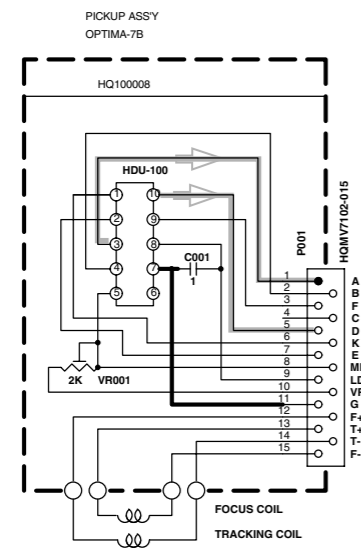
VMW2422 A

LIST	R789	R785
E.B.EN	10K	22K
U.UP.US.UT.UX.UY.UZ	10K	8.2K
EE.EV	10K	150K
J.C	10K	2.2K

NOTES:  
1. VOLTAGES ARE DC-MEASURED WITH A DIGITAL VOLT METER OR OSCILSCOPE WITHOUT INPUT SIGNAL  
CONDITION — CD STOP AT DC SUPPLY SOUND FLAT AHB ON  
2. UNLESS OTHERWISE SPECIFIED, RESISTORS ARE 1/6W 5% CARBON RESISTOR.  
ALL RESISTANCE VALUES ARE IN OHM(S)  
ALL CAPACITANCE VALUES ARE IN μF(PF)  
ALL INDUCTANCE VALUES ARE IN μH(MH)  
ALL E.CAPACITORS ARE SHOWN IN THE FORM OF CAPACITANCE(μF)/RATED VOLTAGE (V).

PARTS NAME	CONSTRUCTION
DTC143TKA	
DTC144EKA	

■ CD amplifire circuit



TO MAIN SECTION  
TO B-1 on page 2-7 or 2-8

TO MAIN SECTION  
TO A-2 on page 2-7 or 2-8

- NOTES**
1. VOLTAGES ARE DC-MEASURED WITH A DIGITAL VOLT METER.
  2. UNLESS OTHERWISE SPECIFIED, RESISTORS ARE 1/8W ±5% CARBON RESISTOR.
  3. ALL RESISTANCE VALUES ARE IN OHM ( ) Ω
  4. ALL CAPACITORS ARE CERAMIC CAPACITOR OR MYLAR CAPACITOR.
  5. ALL CAPACITANCE VALUES ARE IN (μF-(pF)).
  6. ALL E-CAPACITORS ARE SHOWN IN THE FORM OF CAPACITANCE (μF)/RATED VOLTAGE (V).

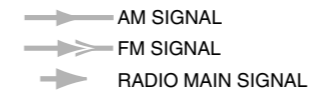
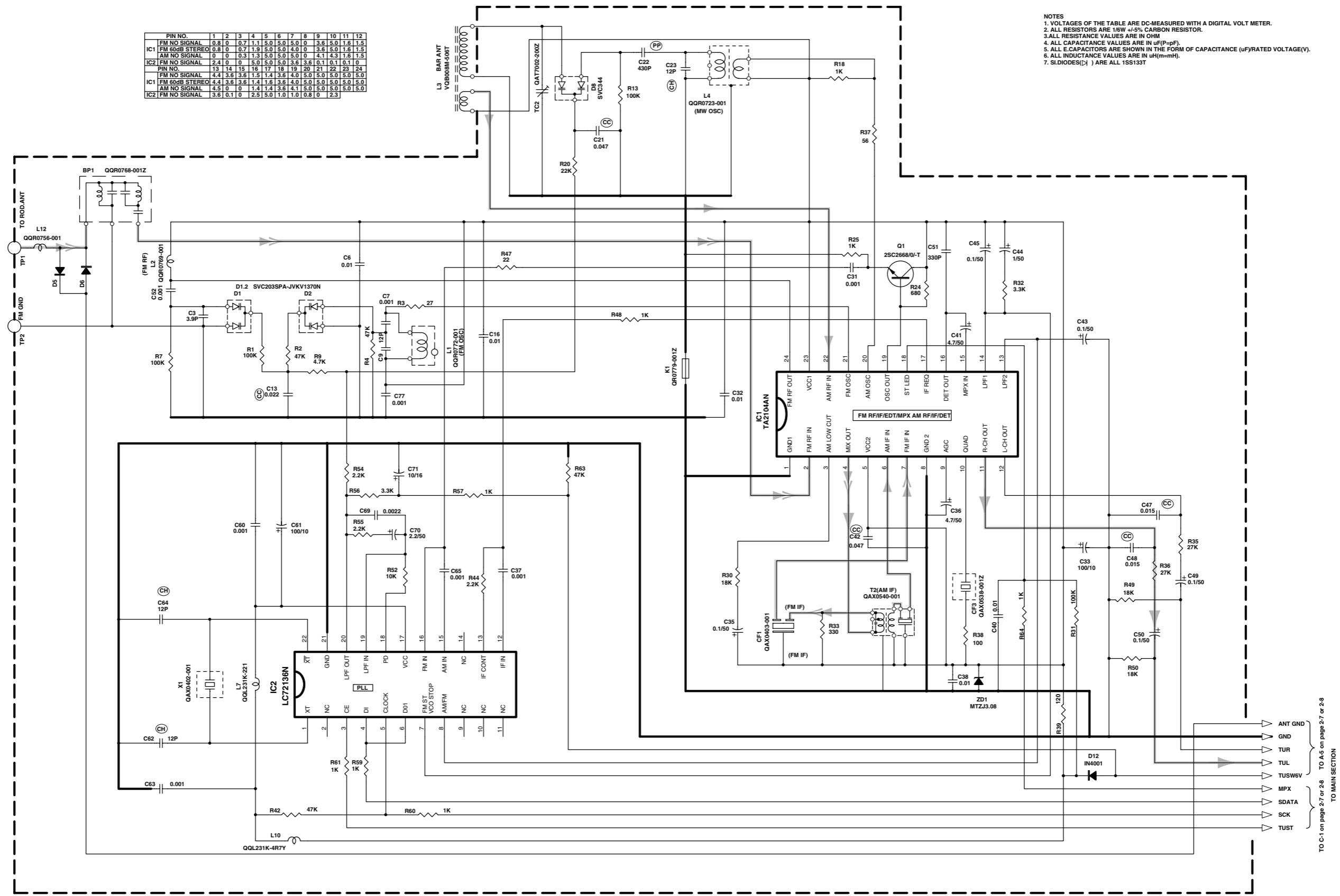
A B C D E F G H I J

RC-BZ5LB/BZ5RD  
RC-BZ6BU

■ Tuner circuit

PIN NO.	1	2	3	4	5	6	7	8	9	10	11	12
IC1 FM NO SIGNAL	0.8	0	0.7	1.1	5.0	5.0	0	0	3.6	5.0	1.6	1.5
IC1 FM 60dB STEREO	0.8	0	0.7	1.9	5.0	5.0	4.0	0	3.6	5.0	1.6	1.5
IC1 AM NO SIGNAL	0	0	0.3	1.3	5.0	5.0	0	0	4.1	4.3	1.6	1.5
IC2 FM NO SIGNAL	2.4	0	0	5.0	5.0	5.0	3.6	3.6	0.1	0.1	0.1	0
IC2 FM 60dB STEREO	4.4	3.6	3.6	1.5	1.4	3.6	4.0	5.0	5.0	5.0	5.0	5.0
IC2 AM NO SIGNAL	4.5	0	0	1.4	1.4	3.8	4.1	5.0	5.0	5.0	5.0	5.0
IC2 FM NO SIGNAL	3.6	0.1	0	2.5	5.0	1.0	1.0	0.8	0	2.3		

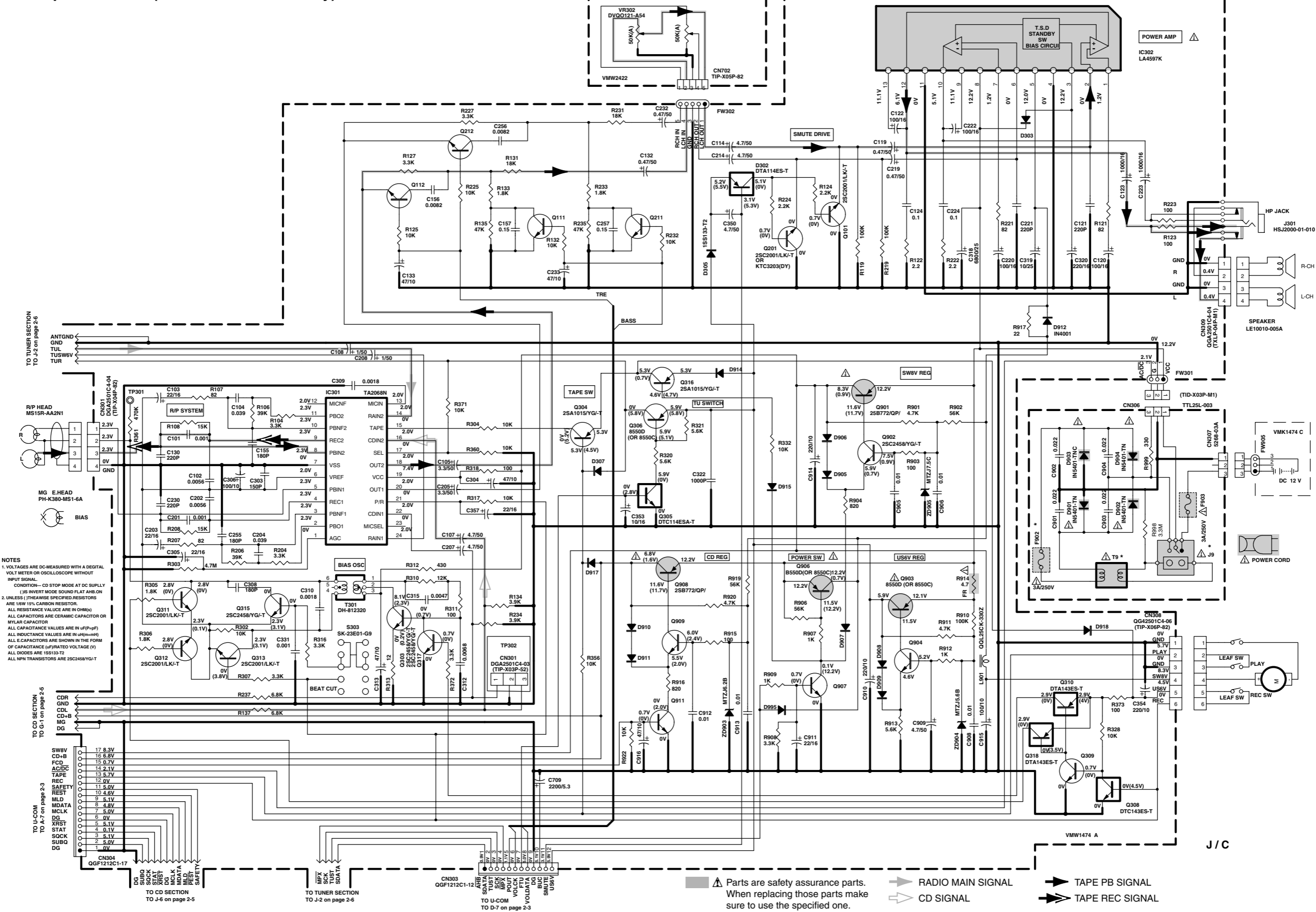
- NOTES
1. VOLTAGES OF THE TABLE ARE DC-MEASURED WITH A DIGITAL VOLT METER.
  2. ALL RESISTORS ARE 1/8W +/-5% CARBON RESISTOR.
  3. ALL RESISTANCE VALUES ARE IN OHM
  4. ALL CAPACITANCE VALUES ARE IN uF(p=pF)
  5. ALL E.CAPACITORS ARE SHOWN IN THE FORM OF CAPACITANCE (uF)/RATED VOLTAGE(V).
  6. ALL INDUCTANCE VALUES ARE IN uH(m=mH)
  7. SI-DIODES( ) ARE ALL 1SS133T



J/C/B/E/EN/U/UP/US/UT/UX/UY/UZ

TO C-1 on page 2-7 or 2-8  
TO A-5 on page 2-7 or 2-8  
TO MAIN SECTION

**Amplifier circuit (RC-BZ5LB/BZ5RD only)**

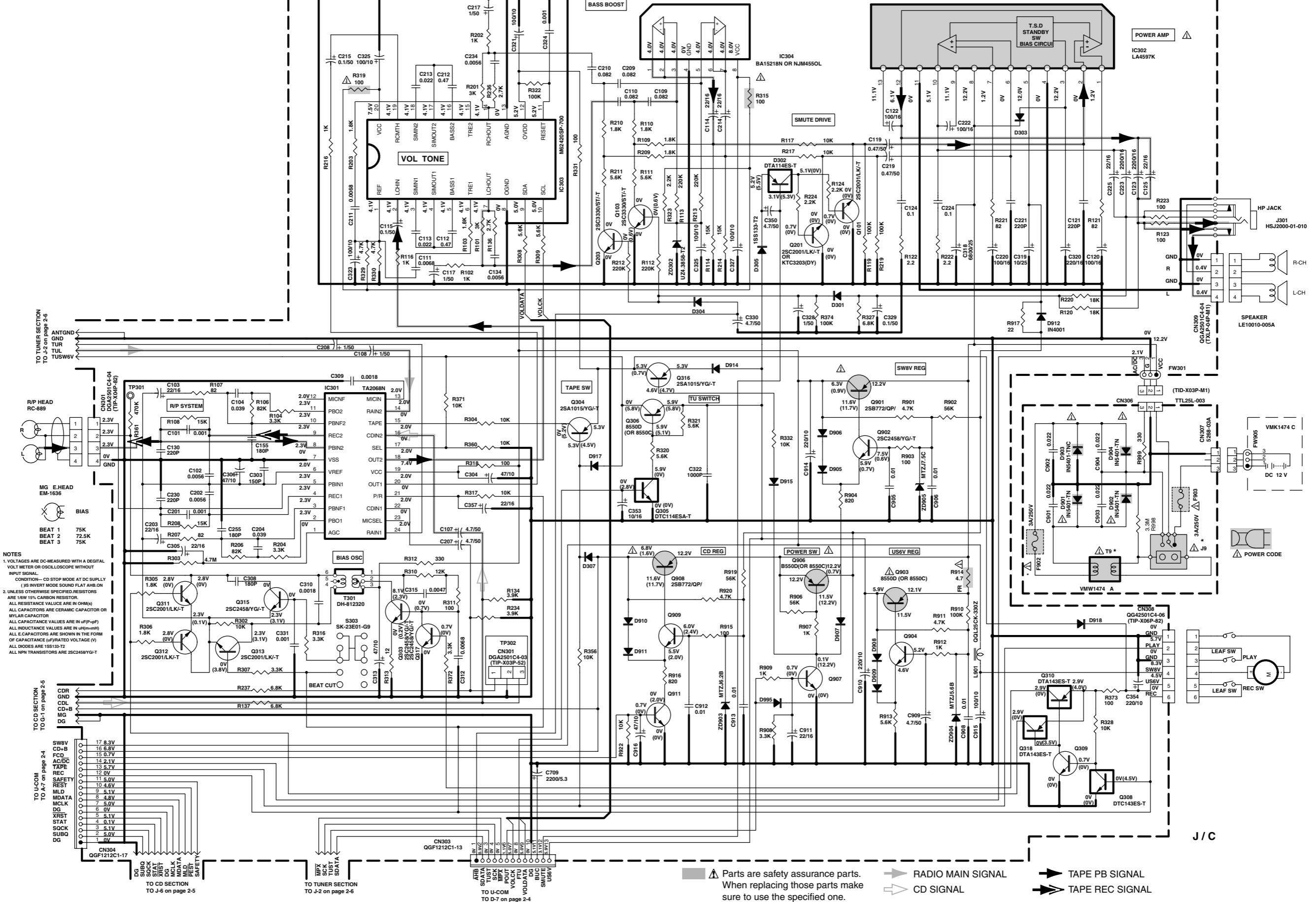


A B C D E F G H I J



RC-BZ5LB/BZ5RD  
RC-BZ6BU

Amplifier circuit (RC-BZ6BU only)



TO TUNER SECTION TO J-2 on page 2-6

R/P HEAD RC-889

MG E-HEAD EM-1636

BIAS

BEAT 1 75K

BEAT 2 72.5K

BEAT 3 75K

NOTES

1. VOLTAGES ARE DC-MEASURED WITH A DIGITAL VOLT METER OR OSCILLOSCOPE WITHOUT INPUT SIGNAL.

CONDITION—CD STOP MODE AT DC SUPPLY (P5) INVERT MODE SOUND FLAT AFB ON.

2. UNLESS OTHERWISE SPECIFIED RESISTORS ARE 1/8W 1% CARBON RESISTOR.

ALL RESISTANCE VALUES ARE IN OHM(S).

ALL CAPACITORS ARE CERAMIC CAPACITOR OR MYLAR CAPACITOR.

ALL CAPACITANCE VALUES ARE IN pF(pF).

ALL INDUCTANCE VALUES ARE IN μH(μH).

ALL CAPACITORS ARE SHOWN IN THE FORM OF CAPACITANCE (μF/RATED VOLTAGE (V)).

ALL DIODES ARE 1SS133-T2.

ALL NPN TRANSISTORS ARE 2SC2458/YG/T.

TO CD SECTION TO G-1 on page 2-5

TO U-COM TO A-7 on page 2-4

TO CD SECTION TO J-6 on page 2-5

TO TUNER SECTION TO J-2 on page 2-6

TO U-COM TO D-7 on page 2-4

▲ Parts are safety assurance parts. When replacing those parts make sure to use the specified one.

➤ RADIO MAIN SIGNAL

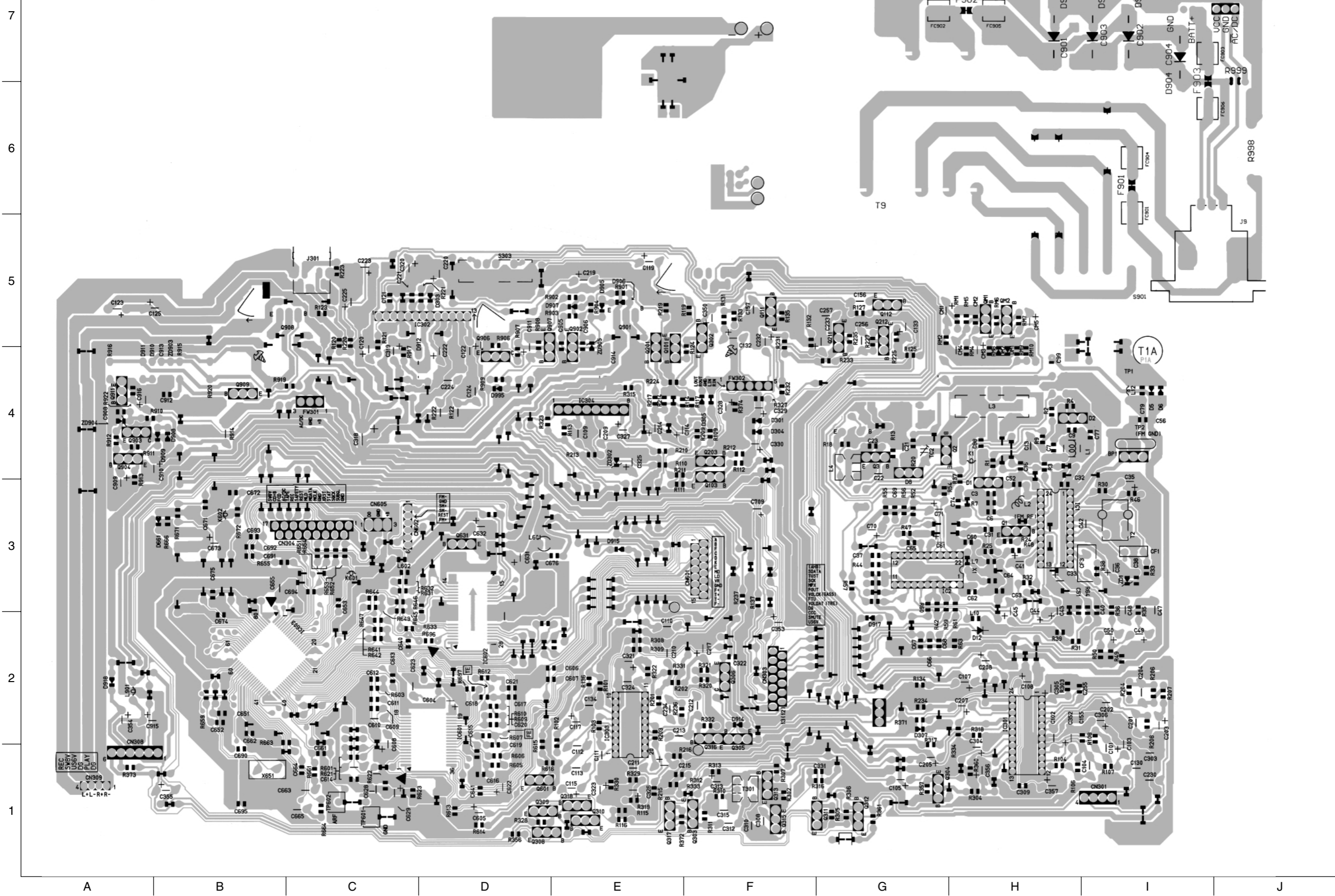
➤ TAPPE PB SIGNAL

➤ CD SIGNAL

➤ TAPPE REC SIGNAL

# Printed circuit boards

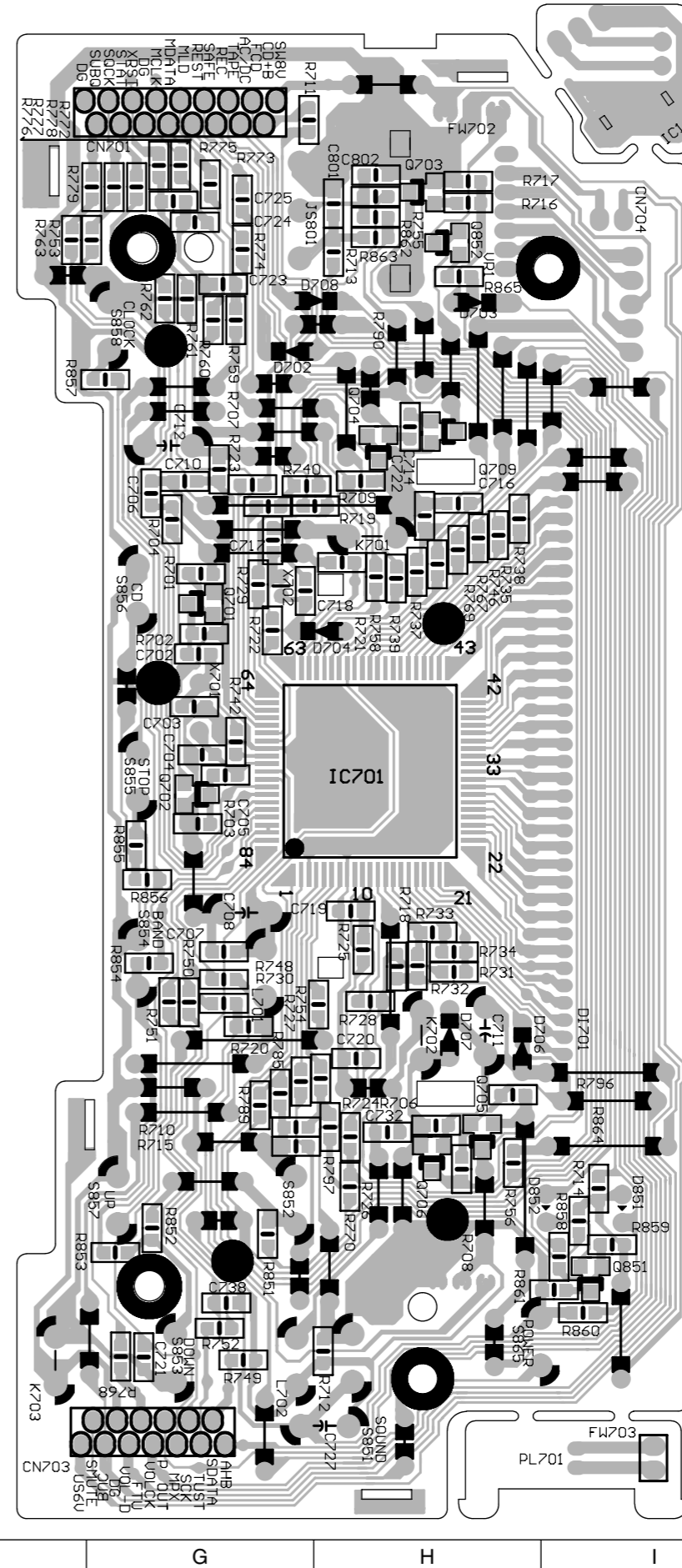
■ Main board    Block No. 01



■ System CPU board (RC-BZ5LB/BZ5RD) Block No.02



■ System CPU board (RC-BZ6BU) Block No.02



# PARTS LIST

[ RC-BZ5LB/BZ5RD ]  
[ RC-BZ6BU ]

\* All printed circuit boards and its assemblies are not available as service parts.

Areas suffix	
J	U.S.A.
C	Canada

## - Contents - [RC-BZ5LB/BZ5RD]

Exploded view of general assembly and parts list .....	3-2
Cassette mechanism assembly and parts list .....	3-4
CD mechanism assembly and parts list .....	3-6
Electrical Parts List .....	3-7
Packing materials and accessories parts list .....	3-13

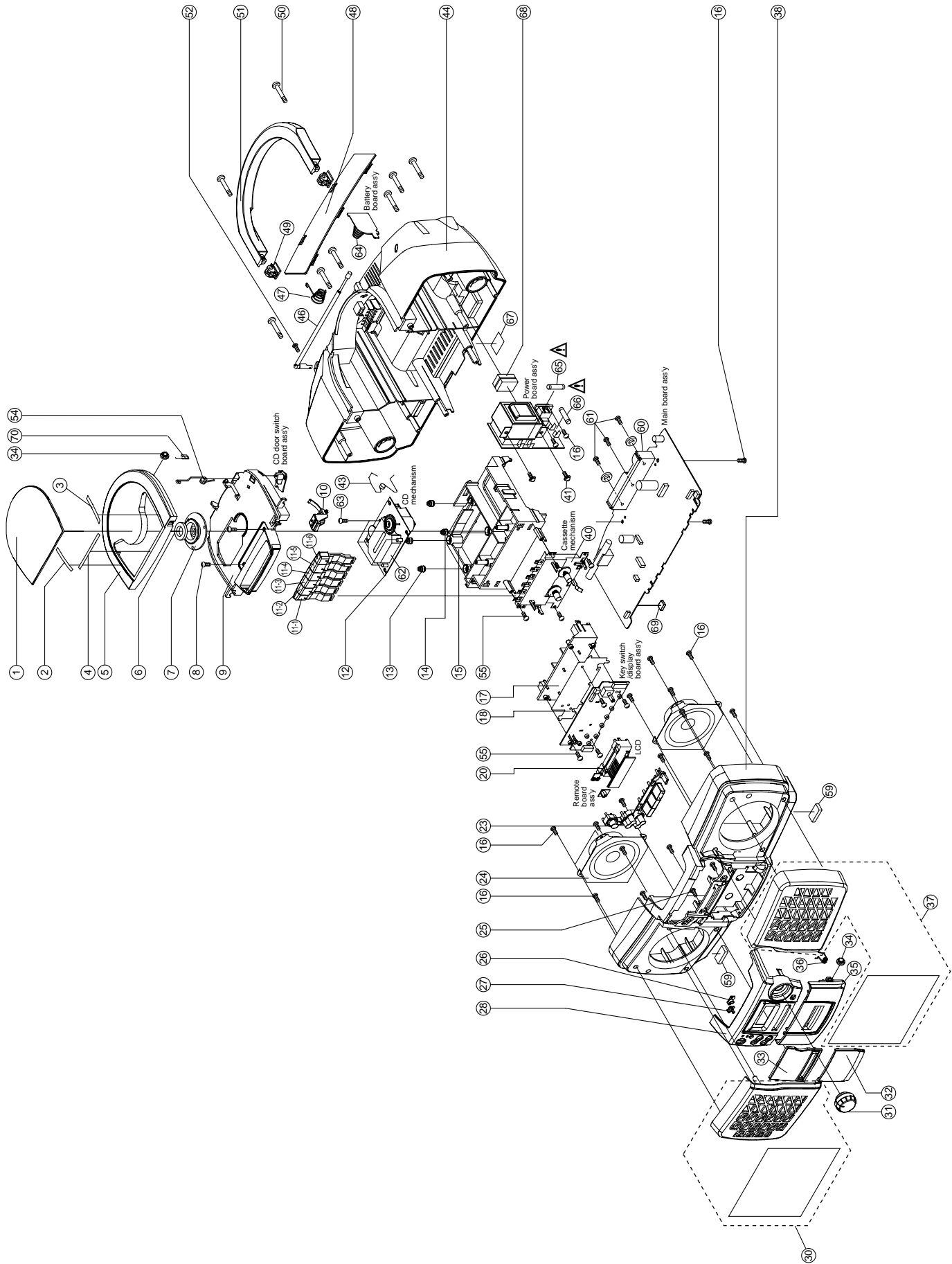
## - Contents - [RC-BZ6BU]

Exploded view of general assembly and parts list .....	3-14
Cassette mechanism assembly and parts list .....	3-16
CD mechanism assembly and parts list .....	3-18
Electrical Parts List .....	3-19
Packing materials and accessories parts list .....	3-25

# Exploded view of general assembly and parts list

Block No. 

M	1	M	M
---	---	---	---



## ■ Parts list ( General assembly )

Block No. M1MM

△	Item	Parts number	Parts name	Q'ty	Description	Area
	1	GJ460340210101	LENS CD DOOR	1	RC-BZ5LB	
		GJ460340500101	LENS CD DOOR	1	RC-BZ5RD	
	2	GJ670000010330	D.SPACER	1	65X3.5	
	3	GJ670000010340	D.SPACER	1	65X3.5	
	4	GJ670000010350	D.SPACER	1	110-3.0	
	5	GJ460340120101	DOOR CD	1		
	6	VYH7313-005	MAGNET	1		
	7	LV30175-001A	CLAMPER	1		
	8	GJ702224301242	SCREW TT3X12	2	FOR CD CASE	
	9	GJ460340160101	CD CASE	1		
	10	GJ460340020101	BUTTON	1	OPEN	
	11-1	GJ460340040101	BUTTON(A)MECHA.	1	PAUSE	
	11-2	GJ460340050101	BUTTON(B)MECHA.	1	STOP	
	11-3	GJ460340060101	BUTTON(C)MECHA.	1	FF	
	11-4	GJ460340070101	BUTTON(D)MECHA.	1	REW	
	11-5	GJ460340080101	BUTTON(E)MECHA.	1	PLAY	
	11-6	GJ460340090101	BUTTON(F)MECHA.	1	REC	
	12	-----	CD UNIT EXL-M7B	1	GJA1005002001C	
	13	E75609-001	INSULATOR	2	CD MECHA RED	
	14	E75609-002	INSULATOR	2	CD MECHA PURPLE	
	15	GJ460340170101	HOLDER CD	1		
	16	GJ702244301012	SCREW TT3X10	20	SPEAKE/MAIN PCB	
	17	GJ460340200101	HOLDER	1	CONTROL BOARD	
	18	GJ781000090101	SHIELD PLATE	1		
	20	GJ460340270101	HOLDER (1)LCD	1		
	23	GJ460340230101	FUNCTION KNOB	1		
	24	LE10010-005A	SPEAKER	2		
	25	GJ702244260812	SCREW TT2.6X8	2	COVER-FRONT	
	26	GJ460340030101	LENS	1	REMOTE SENSOR	
	27	GJ460340260101	LENS	1	LED	
	28	GJ460340400101	FRONT COVER	1		
	30	GJ0001-SPGR	SPEAKER GRILLE	1	SHILD, RC-BZ5RD	
		GJ0003-SPGR	SPEAKER GRILLE	1	SHILD, RC-BZ5LB	
	31	GJ460340250101	VOLUME KNOB	1		
	32	GJ460340490101	C.DOOR LENS	1	RC-BZ5RD	
		GJ460340190101	C.DOOR LENS	1	RC-BZ5LB	
	33	GJ460340220101	FRONT LENS	1	RC-BZ5LB	
		GJ460340480101	FRONT LENS	1	RC-BZ5RD	
	34	VYH8007-001	GEAR	2	DOOR	
	35	GJ460340180101	CASSETTE DOOR	1		
	36	LV40210-001A	DOOR SPRING	1		
	37	GJ0002-SPGR	SPEAKER GRILLE	1	SHILD, RC-BZ5RD	
		GJ0004-SPGR	SPEAKER GRILLE	1	SHILD, RC-BZ5LB	
	38	GJ460340010101	FRONT CABINET	1		
	40	-----	DECK MECHANISM	1	TN-21ZVC-1800	
	41	GJ702264301412	SCREW TT3X14	2		
	43	GJ711001340101	SPRING	1	ANT CONTACT	
	44	GJ460340100101	REAR CABINET	1		

## ■ Parts list ( General assembly )

Block No. M1MM

△	Item	Parts number	Parts name	Q'ty	Description	Area
	46	TA46174	T.PICK ANTENNA	1		
	47	VYH5657-006	BATTERY SPRING	1	SIZE D	
	48	LV20082-001A	BATTERY COVER	1		
	49	VYH8008-001	HANDLE SUPPORT	2		
	50	GJ702244304512	SCREW TT3X45	8		
	51	GJ460340150101	HANDLE	1		
	52	GJ701224300852	SCREW M3X8	1	T. ANTENNA	
	54	GJ711001330201	SPRING	1		
	55	GJ702244300812	SCREW TT3X8	8	DECK/KEY P.C.B.	
	59	GJ782000090101	FOOT RUBBER	2		
	60	LV30176-001A	HEAT SINK	1		
	61	QYSDSF3008Z	SCREW	3	HEAT SINK	
	62	202-300002-00	CD COVER PLATE	1		
	63	GJ702224200642	SCREW TT2X6	4	CD COVER	
	64	VYH5483-001	BATTERY SPRING	1		
△	65	QMF51N2-3R0-J1	FUSE	1	3A 125V F902	
△	66	QMF51N2-3R0-J1	FUSE	1	3A 125V F903	
	67	GJ560340150101	NAME PLATE	1	RC-BZ5LB	J,C
		GJ560340070101	NAME PLATE	1	RC-BZ5RD	J,C
	68	GJ782000090101	RUBBER SPACER	1		
	69	GJ761000200100	SPACER	1		
	70	GJ500340240101	GEAR SPRING	1	CD DAMP	

## ■ Parts list ( Cassette mechanism assembly )

Block No. M2MM

△	Item	Parts number	Parts name	Q'ty	Description	Area
	1	192114316T	BASE ASSY	1		
	2	19211409T	SWITCH ACTUATOR	1		
	3	19211408T	LOCK CAM	1		
	4	19211403T	REC BUTT.LEVER	1		
	5	19211419T	PLAY BUTT.LEVER	1		
	6	19211404T	REW BUTT. LEVER	1		
	7	19211405T	FF BUTTON LEVER	1		
	8	19211406T	STOP BUTT.LEVER	1		
	9	19211460T	PAUSE BUT.LEVER	1		
	10	19211413AT	SPRING	1	PAUSE LEVER	
	11	19211455T	PAUSE LEVER (E)	1		
	12	19211412T	SPRING	1	PAUSE LEVER	
	13	19211411T	PAUSE STOPPER	1		
	14	19211414T	TORSION SPRING	1		
	15	192101501T	CHASSIS ASS'Y	1		
	16	19211416T	TORSION SPRING	1		
	17	19211417T	TORSION SPRING	1		
	19	182101159T	E.KICK LEVER	1		
	20	19211420T	STOPPER	1		
	21	19211421T	TORSION SPRING	1	REC BUTTON	
	22	19211415T	TORSION SPRING	1	BUTTON LEVER	
	23	MSW-1541T	LEAF SWITCH	1	MSW-1541T	
	24	18210150T	TENSION SPRING	1	PLAY BUTTON	
	25	19210311T	HEAD PANEL	1		
	26	19210304AT	HEAD BASE	1		
	27	19210309T	PANEL P SPRING	1		
	28	19210305T	MAGNET HEAD ARM	1		
	29	18210307T	AZIMUTH SPRING	1	AZIMUTH	
	30	19211418AT	SPRING	1	M CONTROL	
	31	19210310T	MG ARM SPRING	1	MG ARM	
	32	192104309T	P.ROLLER ARM	1		
	35	19212604AT	SENSING LEVER	1		
	36	19212605T	TORSION SPRING	1	GEAR PLATE	
	37	192126502T	GEAR PLATE	1		
	38	19212602T	CAM GEAR	1		
	40	192107304T	R.F.CLUTCH	1		
	41	19210703T	REW/F.F. BELT	1		
	43	192109303T	FLYWHEEL ASSY	1		
	45	18211070T	F.FORWARD GEAR	1		
	46	18211099T	BACK TENSION SP	1		
	47	192105304T	S. REEL ASS'Y	1		
	48	192105303T	T. REEL ASS'Y	1		
	49	19210506T	SENSOR	1		
	51	18211289AT	MOTOR BRACKET	1		
	53	19211202T	COLLAR SCREW	2	SP MOTOR 3X6	
	54	19211201T	MOTOR PULLEY	1		
	55	19210904T	MAIN BELT	1		
	56	19211203T	MB SCREW	1	SP M B 2X	

## ■ Parts list ( Cassette mechanism assembly )

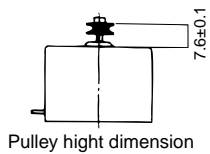
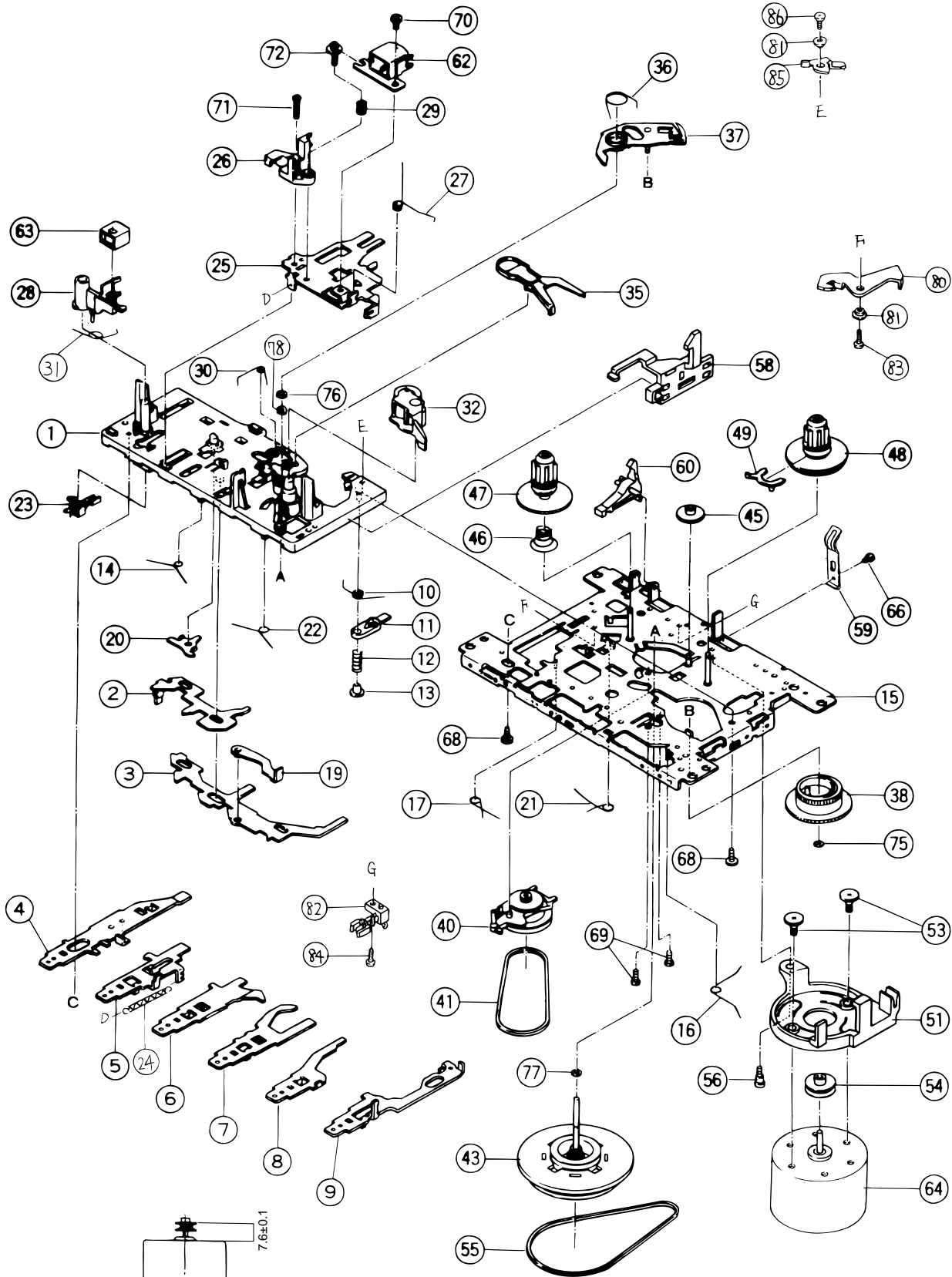
Block No. M2MM

△	Item	Parts number	Parts name	Q'ty	Description	Area
	58	19211301T	EJ. SLIDE LEVER	1		
	59	18211093T	PACK SPRING	1		
	60	18211069T	REC.SAF.LEVER	1		
	62	MS15R-AA2N1	R/P HEAD	1		
	63	PH-K380-MS1-6A	ERASE HEAD	1		
	64	60020217T	MOTOR	1		
	66	9P0420031T	TAPPING SCREW	1	PACK SPRING	
	68	9B1020051T	TAPPING SCREW	2	(M2 X 5)	
	69	9C0720451T	TAPPING SCREW	2	(M2 X 4.5)	
	70	9B0120031T	SCREW(+ )BIND	1	(M2 X 3)	
	71	9P0120061T	SCREW	1	(M2 X 6)	
	72	9F0820071T	SCREW AZIMUTH	1	(M2 X 7)	
	75	9W0230010T	P.CUT WASHER	1	(12X3.8X0.3)	
	76	9W0250010T	P.CUT WASHER	1	(1.45X3.8X0.5)	
	77	9W0140010T	P.CUT WASHER	1	(2X3.5X0.4)	
	78	9W0113020T	P.CUT WASHER	1	(2X3.5X0.4)	
	80	19210201T	REC ARM	1		
	81	19211437T	P ARM COLLAR	2		
	82	64010138T	LEAF SWITCH	1		
	83	9P0420041T	SCREW	1	(M2 X 4)	
	84	9P0420051T	SCREW	1	(M2 X 5)	
	85	19211434T	P.ROLLER ARM	1		
	86	9P0820301T	TAPPING SCREW	1	(M2 X 3)	

# Cassette mechanism assembly and parts list

TN-21ZVC-1800

Block No. M 2 M M



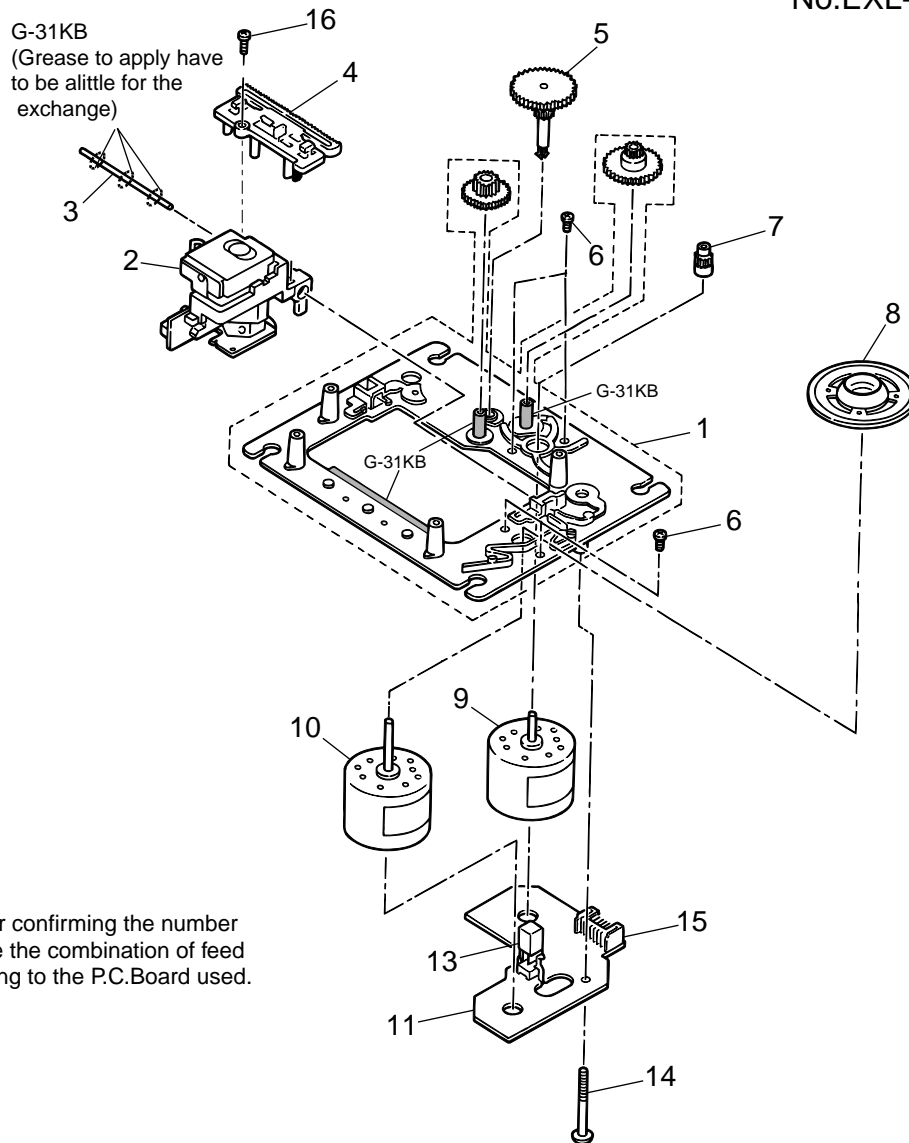


# CD mechanism assembly and parts list

## ■ Grease Point

Block No. M 3 M M

No.EXL-M7B



### NOTE

Please order motor after confirming the number of the P.C.Board because the combination of feed motor is different according to the P.C.Board used.

## ■ Parts list ( CD mechanism assembly )

Block No. M3MM

Item	Parts number	Parts name	Q'ty	Description	Area
1	GJ560280020101	MECHA BASE	1		
2	OPTIMA-7B	CD PICK UP	1		
3	E407782-001	PICK STAFT	1		
4	E307746-001	CD RACK GEAR	1	GEAR SHAFT	
5	GJ560280010101	MECHA GEAR	1		
6	GJ50312003102	SCREW MZX3 B/H	4		
7	E406750-001	PINION GEAR	1		
8	GJA2062001001C	CD TURN TABLE	1		
9	GJ90028678400	FEED MOTOR	1		
10	GJ90028678300	SPINDLE MOTOR	1		
11	GJ100069000100	MECH CIR BOARD	1		
13	GJ157208512	LEAF SWITCH	1		
14	GJ50322623312	SPECIAL SCREW	1		
15	GJ51206010101	6P PLUG ASSY	1		
16	SDSF2006Z	SCREW	1		

## ■ Electrical parts list ( Main board )

Block No. 01

△	Item	Parts number	Parts name	Remarks	Area	△	Item	Parts number	Parts name	Remarks	Area
C 3		GJ264130392101	C.CAPACITOR	50V SL K 3.9PF		C 203		GJ270122260332	E.CAPACITOR	16V M 22UF	
C 6		GJ264271032101	C.CAPACITOR	16V Y M 0.01UF		C 204		GJ282033932415	M.CAPACITOR	FILM 50V J 0.03	
C 7		GJ264141022101	C.CAPACITOR	50V B K 1000PF		C 205		GJ270193350332	E.CAPACITOR	50V M 3.3UF	
C 9		GJ264031202101	A.CAPACITOR	50V SL J 12PF		C 207		GJ270194750332	E.CAPACITOR	50V VX M 4.7UF	
C 13		GJ262102232402	C.CAPACITOR	25V YR K 0.022U		C 208		GJ270191050332	E.CAPACITOR	50V M 1UF	
C 16		GJ264271032101	C.CAPACITOR	16V Y M 0.01UF		C 214		GJ270194750332	E.CAPACITOR	50V VX M 4.7UF	
C 21		GJ262104732402	C.CAPACITOR	25V YR K 0.047U		C 219		GJ270194740332	E.CAPACITOR	50V M 0.47UF	
C 22		GJ285214312415	M.CAPACITOR	PP 100V J 430PF		C 220		GJ270121070332	E.CAPACITOR	100UF 16V VX M	
C 23		GJ264081202101	C.CAPACITOR	50V CH J 12PF		C 221		GJ264142212101	C.CAPACITOR	50V B K 220PF	
C 31		GJ264141022101	C.CAPACITOR	50V B K 1000PF		C 222		GJ270121070332	E.CAPACITOR	100UF 16V VX M	
C 32		GJ264271032101	C.CAPACITOR	16V Y M 0.01UF		C 223		GJ270121080132	E.CAPACITOR	1000UF16V VX	
C 33		GJ270111070332	E.CAPACITOR	10V M 100UF		C 224		GJ283101042432	M.CAPACITOR	POLY FILM 50V K	
C 35		GJ270191040332	E.CAPACITOR	50V M 0.1UF		C 230		GJ260772212412	C.CAPACITOR	50V SL J 220PF	
C 36		GJ270194750332	E.CAPACITOR	50V VX M 4.7UF		C 232		GJ270194740332	E.CAPACITOR	50V M 0.47UF	
C 37		GJ264141022101	C.CAPACITOR	50V B K 1000PF		C 233		GJ270114760332	E.CAPACITOR	10V M 47UF	
C 38		GJ264271032101	C.CAPACITOR	16V Y M 0.01UF		C 255		GJ264141812101	C.CAPACITOR	50V B K 180PF	
C 40		GJ264271032101	C.CAPACITOR	16V Y M 0.01UF		C 256		GJ283108222432	M.CAPACITOR	POLY FILM 50V K	
C 41		GJ270194750332	E.CAPACITOR	50V VX M 4.7UF		C 257		GJ283101542432	M.CAPACITOR	POLY FILM 50V K	
C 42		GJ262104732402	C.CAPACITOR	25V YR K 0.047U		C 303		GJ260771512412	C.CAPACITOR	50V SL J 150PF	
C 43		GJ270191040332	E.CAPACITOR	50V M 0.1UF		C 304		GJ270114760332	E.CAPACITOR	10V M 47UF	
C 44		GJ270191050332	E.CAPACITOR	50V M 1UF		C 305		GJ270122260332	E.CAPACITOR	16V M 22UF	
C 45		GJ270191040332	E.CAPACITOR	50V M 0.1UF		C 306		GJ270114760332	E.CAPACITOR	10V M 47UF	
C 47		GJ262101532402	C.CAPACITOR	25V YR K 0.015U		C 308		GJ260771812412	C.CAPACITOR	50V SL J 180PF	
C 48		GJ262101532402	C.CAPACITOR	25V YR K 0.015U		C 309		GJ264261822101	C.CAPACITOR	16V X M 0.0018U	
C 49		GJ270191040332	E.CAPACITOR	50V M 0.1UF		C 310		GJ283101822432	M.CAPACITOR	POLY FILM 50V K	
C 50		GJ270191040332	E.CAPACITOR	50V M 0.1UF		C 312		GJ283106822432	M.CAPACITOR	POLY FILM 50V K	
C 51		GJ264143312101	C.CAPACITOR	50V B K 330PF		C 313		GJ270114760332	E.CAPACITOR	10V M 47UF	
C 52		GJ264141022101	C.CAPACITOR	50V B K 1000PF		C 315		GJ283104722432	M.CAPACITOR	POLY FILM 50V K	
C 56		GJ264141022101	C.CAPACITOR	50V B K 1000PF		C 318		GJ270143380132	E.CAPACITOR	25V VX M 3300UF	
C 60		GJ264141022101	C.CAPACITOR	50V B K 1000PF		C 319		GJ270141060332	E.CAPACITOR	25V M 10UF	
C 61		GJ270111070332	E.CAPACITOR	10V M 100UF		C 320		GJ270122270332	E.CAPACITOR	16V M 220UF	
C 62		GJ264081202101	C.CAPACITOR	50V CH J 12PF		C 322		GJ264141022101	C.CAPACITOR	50V B K 1000PF	
C 63		GJ264141022101	C.CAPACITOR	50V B K 1000PF		C 331		GJ264141022101	C.CAPACITOR	50V B K 1000PF	
C 64		GJ264081202101	C.CAPACITOR	50V CH J 12PF		C 350		GJ270194750332	E.CAPACITOR	50V VX M 4.7UF	
C 65		GJ264141022101	C.CAPACITOR	50V B K 1000PF		C 353		GJ270121060332	E.CAPACITOR	16V M 10UF	
C 69		GJ264262222101	A.CAPACITOR	16V X M 0.0022U		C 354		GJ270112270332	E.CAPACITOR	10V M 220UF	
C 70		GJ270192250332	E.CAPACITOR	50V M 2.2UF		C 357		GJ270122260332	E.CAPACITOR	16V M 22UF	
C 71		GJ270121060332	E.CAPACITOR	16V M 10UF		C 604		GJ270111070332	E.CAPACITOR	10V M 100UF	
C 77		GJ264141022101	C.CAPACITOR	50V B K 1000PF		C 605		GJ270141060332	E.CAPACITOR	25V M 10UF	
C 98		GJ264141012101	C.CAPACITOR	50V B K 100PF		C 606		GJ264141022101	C.CAPACITOR	50V B K 1000PF	
C 99		GJ264141012101	C.CAPACITOR	50V B K 100PF		C 607		GJ264141022101	C.CAPACITOR	50V B K 1000PF	
C 101		GJ283101022432	M.CAPACITOR	POLY FILM 50V K		C 608		GJ270191050332	E.CAPACITOR	50V M 1UF	
C 102		GJ283105622432	M.CAPACITOR	POLY FILM 50V K		C 609		GJ264141012101	C.CAPACITOR	50V B K 100PF	
C 103		GJ270122260332	E.CAPACITOR	16V M 22UF		C 610		GJ282032732415	M.CAPACITOR	FILM 50V J 0.02	
C 104		GJ282033932415	M.CAPACITOR	FILM 50V J 0.03		C 611		GJ264264722101	A.CAPACITOR	16V X M 0.0047U	
C 105		GJ270193350332	E.CAPACITOR	50V M 3.3UF		C 612		GJ264271032101	C.CAPACITOR	16V Y M 0.01UF	
C 107		GJ270194750332	E.CAPACITOR	50V VX M 4.7UF		C 613		GJ264143312101	C.CAPACITOR	50V B K 330PF	
C 108		GJ270191050332	E.CAPACITOR	50V M 1UF		C 614		GJ282031042415	M.CAPACITOR	FILM 50V J 0.1U	
C 114		GJ270194750332	E.CAPACITOR	50V VX M 4.7UF		C 615		GJ264182232101	C.CAPACITOR	25V F Z 0.022UF	
C 119		GJ270194740332	E.CAPACITOR	50V M 0.47UF		C 616		GJ264182232101	C.CAPACITOR	25V F Z 0.022UF	
C 120		GJ270121070332	E.CAPACITOR	100UF 16V VX M		C 617		GJ264182232101	C.CAPACITOR	25V F Z 0.022UF	
C 121		GJ264142212101	C.CAPACITOR	50V B K 220PF		C 618		GJ264262222101	A.CAPACITOR	16V X M 0.0022U	
C 122		GJ270121070332	E.CAPACITOR	100UF 16V VX M		C 619		GJ264142712101	A.CAPACITOR	50V B K 270PF	
C 123		GJ270121080132	E.CAPACITOR	1000UF16V VX		C 620		GJ264141812101	C.CAPACITOR	50V B K 180PF	
C 124		GJ283101042432	M.CAPACITOR	POLY FILM 50V K		C 622		GJ270114760332	E.CAPACITOR	10V M 47UF	
C 130		GJ260772212412	C.CAPACITOR	50V SL J 220PF		C 623		GJ282031042415	M.CAPACITOR	FILM 50V J 0.1U	
C 132		GJ270194740332	E.CAPACITOR	50V M 0.47UF		C 628		GJ262104732402	C.CAPACITOR	25V YR K 0.047U	
C 133		GJ270114760332	E.CAPACITOR	10V M 47UF		C 629		GJ270111070332	E.CAPACITOR	10V M 100UF	
C 155		GJ264141812101	C.CAPACITOR	50V B K 180PF		C 631		GJ270114770332	E.CAPACITOR	10V M 470UF	
C 156		GJ283108222432	M.CAPACITOR	POLY FILM 50V K		C 632		GJ270111070332	E.CAPACITOR	10V M 100UF	
C 157		GJ283101542432	M.CAPACITOR	POLY FILM 50V K		C 640		GJ264278222101	C.CAPACITOR	16V X M 0.0082U	
C 201		GJ283101022432	M.CAPACITOR	POLY FILM 50V K		C 641		GJ264182232101	C.CAPACITOR	25V F Z 0.022UF	
C 202		GJ283105622432	M.CAPACITOR	POLY FILM 50V K		C 651		GJ264032202101	C.CAPACITOR	50V SL J 22PF	

## ■ Electrical parts list ( Main board )

Block No. 01

△	Item	Parts number	Parts name	Remarks	Area
	C 652	GJ264032202101	C.CAPACITOR	50V SL J 22PF	
	C 653	GJ264182232101	C.CAPACITOR	25V F Z 0.022UF	
	C 655	GJ262104732402	C.CAPACITOR	25V YR K 0.047U	
	C 661	GJ264144712101	C.CAPACITOR	50V B K 470PF	
	C 662	GJ264182232101	C.CAPACITOR	25V F Z 0.022UF	
	C 663	GJ282032232415	M.CAPACITOR	FILM 50V J 0.02	
	C 664	GJ264182232101	C.CAPACITOR	25V F Z 0.022UF	
	C 665	GJ282031042415	M.CAPACITOR	FILM 50V J 0.1U	
	C 671	GJ264262222101	A.CAPACITOR	16V X M 0.0022U	
	C 672	GJ264262222101	A.CAPACITOR	16V X M 0.0022U	
	C 673	GJ270112270332	E.CAPACITOR	10V M 220UF	
	C 674	GJ264182232101	C.CAPACITOR	25V F Z 0.022UF	
	C 675	GJ264141022101	C.CAPACITOR	50V B K 1000PF	
	C 690	GJ264271032101	C.CAPACITOR	16V Y M 0.01UF	
	C 691	GJ264141512101	C.CAPACITOR	50V B K 150PF	
	C 692	GJ264141512101	C.CAPACITOR	50V B K 150PF	
	C 693	GJ264141512101	C.CAPACITOR	50V B K 150PF	
	C 694	GJ264141512101	C.CAPACITOR	50V B K 150PF	
	C 695	GJ264271032101	C.CAPACITOR	16V Y M 0.01UF	
	C 696	GJ264141012101	C.CAPACITOR	50V B K 100PF	
	C 697	GJ264141012101	C.CAPACITOR	50V B K 100PF	
	C 698	GJ264141012101	C.CAPACITOR	50V B K 100PF	
	C 699	GJ264141012101	C.CAPACITOR	50V B K 100PF	
	C 709	GJ270102280132	E.CAPACITOR	6.3V VX M 2200U	
	C 901	GJ262772232412	C.CAPACITOR	50V F Z 0.022UF	
	C 902	GJ262772232412	C.CAPACITOR	50V F Z 0.022UF	
	C 903	GJ262772232412	C.CAPACITOR	50V F Z 0.022UF	
	C 904	GJ262772232412	C.CAPACITOR	50V F Z 0.022UF	
	C 905	GJ264271032101	C.CAPACITOR	16V Y M 0.01UF	
	C 906	GJ264271032101	C.CAPACITOR	16V Y M 0.01UF	
	C 908	GJ264271032101	C.CAPACITOR	16V Y M 0.01UF	
	C 909	GJ270194750332	E.CAPACITOR	50V VX M 4.7UF	
	C 910	GJ270112270332	E.CAPACITOR	10V M 220UF	
	C 911	GJ270122260332	E.CAPACITOR	16V M 22UF	
	C 912	GJ264271032101	C.CAPACITOR	16V Y M 0.01UF	
	C 913	GJ264271032101	C.CAPACITOR	16V Y M 0.01UF	
	C 914	GJ270112270332	E.CAPACITOR	10V M 220UF	
	C 915	GJ270111070332	E.CAPACITOR	10V M 100UF	
	C 916	GJ270114760332	E.CAPACITOR	10V M 47UF	
	CF 1	QAX0403-001	C FILTER	CER FM 10.7M	
	CF 3	QAX0538-001Z	CRYSTAL	CER FM CDA10.7	
	CN301	GJ156450711	CONNECTOR	4PINS ST RED	
	CN303	QGF1212C1-12	FFC CONNECTOR	12PINS	
	CN304	QGF1212C1-17	FFC CONNECTOR	17PINS	
	CN306	TID-X03P-MI	CONNECTOR	3 PINS RA WHIT	
	CN307	5268-03A	CONNECTOR	3PINS RA	
	CN308	GJ156450911	CONNECTOR	6PINS ST WHITE	
	CN309	GJ158016511	TRANSISTOR	4PIN ST WHITE	
	CN310	QGA2501C3-03Z	CONNECTOR IM	GJ156450611	
	CN601	QGF1025C1-15	21-41 CONNECTOR	15PINS	
	D 1	SVC203SPA-JV-T	VARI CAP	GJ310050080104	
	D 2	SVC203SPA-JV-T	VARI CAP	GJ310050080104	
	D 5	1SS133Y	DIODE	GJ871999133	
	D 6	1SS133Y	DIODE	GJ871999133	
	D 8	KV1555N-T	VARI CAPACITOR	GJ310050040103	
	D 12	IN4001	DIODE	RECT BULK	
	D 303	1SS133Y	DIODE	GJ871999133	
	D 305	1SS133Y	DIODE	GJ871999133	
	D 307	1SS133Y	DIODE	GJ871999133	
	D 661	1SS133Y	DIODE	GJ871999133	
△	D 901	1N5401-M	SI DIODE		
△	D 902	1N5401-M	SI DIODE		
△	D 903	1N5401-M	SI DIODE		

△	Item	Parts number	Parts name	Remarks	Area
△	D 904	1N5401-M	SI DIODE		
	D 905	1SS133Y	DIODE	GJ871999133	
	D 907	1SS133Y	DIODE	GJ871999133	
	D 908	1SS133Y	DIODE	GJ871999133	
	D 909	1SS133Y	DIODE	GJ871999133	
	D 910	1SS133Y	DIODE	GJ871999133	
	D 911	1SS133Y	DIODE	GJ871999133	
	D 912	IN4001	DIODE	RECT BULK	
	D 914	1SS133Y	DIODE	GJ871999133	
	D 915	1SS133Y	DIODE	GJ871999133	
	D 916	1SS133Y	DIODE	GJ871999133	
	D 917	1SS133Y	DIODE	GJ871999133	
	D 918	1SS133Y	DIODE	GJ871999133	
	D 995	1SS133Y	DIODE	GJ871999133	
	FC902	GJ153321741	FUSE HOLDER		
	FC903	GJ153321741	FUSE HOLDER		
	FC905	GJ153321741	FUSE HOLDER		
	FC906	GJ153321741	FUSE HOLDER		
	FW 1	GJ353120150107	CARD WIRE	CN303 TO CN703	
	FW 2	VWF1015-08TTA	CARD WIRE	CN601 TO CD	
	FW 3	GJ353170240107	CARD WIRE	CN304 TO CN701	
	IC 1	TA2104AN	IC	DIP	
	IC 2	LC72136N	IC	PLL IC	
	IC301	TA2068N	IC	DIP PRE/REC AMP	
△	IC302	LA4597K	IC	DIP SB-S1150	
	IC601	AN8806SB	IC	RF AMP	
	IC602	BA6897FP	IC	POWER DRIVER	
	IC603	MN35510	IC	1 CHIP PROCISSE	
	IC703	GP1U281X	IC	GJ313010541005	
△	J 9	QNC0043-001	AC SOCKET	125V 7A	
	J 301	GJ342010200113	JACK	H/P MSJ2000 (BL	
	K 1	QQR0779-001Z	INDUCTOR	GJVQZ0048009	
	K 601	QQR0779-001Z	INDUCTOR	GJVQZ0048009	
	K 602	QQR0779-001Z	INDUCTOR	GJVQZ0048009	
	L 1	VQF1B20-019	OSC COIL	FM OSC	
	L 2	VQC1505-002L	RF COIL	GJ320020260109	
	L 3	VQB008M-506	BAR ANTENA	GJVQB008M506	
	L 4	QQR0723-001	OSC COIL	IFT AM OSC 7.5	
	L 7	VQP0018-221	INDUCTOR	220UH 10% Q40	
	L 10	QQL231K-4R7Y	INDUCTOR	4.7UH	
	L 12	V03047-17L	INDUCTOR	GJ320080140109	
	L 601	3A839N	INDUCTOR	10UH RADIAL LEA	
	L 602	GJ141033431	INDUCTOR	100UH 10% Q40	
	L 901	VQP0028-330Z	INDUCTOR	33UH	
	Q 1	2SC2668/O/T	TRANSISTOR	GJ312020351201	
	Q 101	2SC2001/LK-T	TRANSISTOR	GJ872914247	
	Q 111	2SC2458/YG-T	TRANSISTOR	GJ872923044	
	Q 112	2SC2458/YG-T	TRANSISTOR	GJ872923044	
	Q 201	2SC2001/LK-T	TRANSISTOR	GJ872914247	
	Q 211	2SC2458/YG-T	TRANSISTOR	GJ872923044	
	Q 212	2SC2458/YG-T	TRANSISTOR	GJ872923044	
	Q 302	KRA102M-T	D.TRANSISTOR	GJ872903715	
	Q 303	2SC2458/YG-T	TRANSISTOR	GJ872923044	
	Q 304	2SA1015/YG-T	TRANSISTOR	GJ872923115	
	Q 305	KRC102M-T	D.TRANSISTOR	GJ872903658	
	Q 306	8550C	TRANSISTOR	GJ312080042204	
	Q 308	DTC143ES	TRANSISTOR	DTC143ES-TP	
	Q 309	2SC2458/YG-T	TRANSISTOR	GJ872923044	
	Q 310	DTA143ESA-T	D.TR.I.M	DTA143ESA-TP	
	Q 311	2SC2001/LK-T	TRANSISTOR	GJ872914247	
	Q 312	2SC2001/LK-T	TRANSISTOR	GJ872914247	
	Q 313	2SC2001/LK-T	TRANSISTOR	GJ872914247	
	Q 315	2SC2458/YG-T	TRANSISTOR	GJ872923044	

## ■ Electrical parts list ( Main board )

Block No. 01

△	Item	Parts number	Parts name	Remarks	Area	△	Item	Parts number	Parts name	Remarks	Area
	Q 316	2SA1015/YG/-T	TRANSISTOR	GJ872923115			R 132	GJ250081032103	CARBON RESISTOR	CF 1/6W J 10K	
	Q 317	2SC2458/YG/-T	TRANSISTOR	GJ872923044			R 133	GJ250081822103	CARBON RESISTOR	CF 1/6W J 1.8K	
	Q 318	DTA143ESA-T	D.TR.I.M	DTA143ESA-TP			R 134	GJ250083922103	CARBON RESISTOR	CF 1/6W J 3.9K	
	Q 601	2SA952/LK/-T	TRANSISTOR	TAPE			R 135	GJ250084732103	CARBON RESISTOR	CF 1/6W J 47K	
	Q 631	2SA952/LK/-T	TRANSISTOR	TAPE			R 137	GJ250086822103	CARBON RESISTOR	CF 1/6W J 6.8K	
	Q 851	2SA1037AK/RS/-X	TRANSISTOR	GJ872902649			R 204	GJ250083322103	CARBON RESISTOR	CF 1/6W J 3.3K	
△	Q 901	2SB772/QP/	TRANSISTOR	GJ312070021102			R 206	GJ250083932103	CF RESISTOR	CF 1/6W J 39K	
	Q 902	2SC2458/YG/-T	TRANSISTOR	GJ872923044			R 207	GJ250088202103	RES CF	CF 1/6W J 82	
△	Q 903	8550C	TRANSISTOR	GJ312080042204			R 208	GJ250081532103	CARBON RESISTOR	CF 1/6W J 15K	
	Q 904	2SC2458/YG/-T	TRANSISTOR	GJ872923044			R 219	GJ250081042103	CARBON RESISTOR	CF 1/6W J 100K	
△	Q 906	8550C	TRANSISTOR	GJ312080042204			R 221	GJ250088202103	RES CF	CF 1/6W J 82	
	Q 907	2SC2458/YG/-T	TRANSISTOR	GJ872923044			R 222	GJ250082292103	C.RESISTOR	CF 1/6W J 2.2	
△	Q 908	2SB772/QP/	TRANSISTOR	GJ312070021102			R 223	GJ250081012103	CARBON RESISTOR	CF 1/6W J 100	
	Q 909	2SC2458/YG/-T	TRANSISTOR	GJ872923044			R 224	GJ250082222103	CARBON RESISTOR	CF 1/6W J 2.2K	
	Q 911	2SC2458/YG/-T	TRANSISTOR	GJ872923044			R 225	GJ250081032103	CARBON RESISTOR	CF 1/6W J 10K	
	R 1	GJ250081042103	CARBON RESISTOR	CF 1/6W J 100K			R 227	GJ250083322103	CARBON RESISTOR	CF 1/6W J 3.3K	
	R 2	GJ250084732103	CARBON RESISTOR	CF 1/6W J 47K			R 231	GJ250081832103	CARBON RESISTOR	CF 1/6W J 18K	
	R 3	GJ250082702103	CARBON RESISTOR	CF 1/6W J 27			R 232	GJ250081032103	CARBON RESISTOR	CF 1/6W J 10K	
	R 4	GJ250084732103	CARBON RESISTOR	CF 1/6W J 47K			R 233	GJ250081822103	CARBON RESISTOR	CF 1/6W J 1.8K	
	R 7	GJ250081042103	CARBON RESISTOR	CF 1/6W J 100K			R 234	GJ250083922103	CARBON RESISTOR	CF 1/6W J 3.9K	
	R 9	GJ250084722103	CARBON RESISTOR	CF 1/6W J 4.7K			R 235	GJ250084732103	CARBON RESISTOR	CF 1/6W J 47K	
	R 13	GJ250081042103	CARBON RESISTOR	CF 1/6W J 100K			R 237	GJ250086822103	CARBON RESISTOR	CF 1/6W J 6.8K	
	R 18	GJ250081022103	CARBON RESISTOR	CF 1/6W J 1K			R 302	GJ250081032103	CARBON RESISTOR	CF 1/6W J 10K	
	R 20	GJ250081022103	CARBON RESISTOR	CF 1/6W J 1K			R 303	GJ250084752103	RES CF	CF 1/6W J 4.7M	
	R 24	GJ250086812103	CARBON RESISTOR	CF 1/6W J 680			R 304	GJ250081032103	CARBON RESISTOR	CF 1/6W J 10K	
	R 25	GJ250081022103	CARBON RESISTOR	CF 1/6W J 1K			R 305	GJ250081822103	CARBON RESISTOR	CF 1/6W J 1.8K	
	R 30	GJ250081832103	CARBON RESISTOR	CF 1/6W J 18K			R 306	GJ250081822103	CARBON RESISTOR	CF 1/6W J 1.8K	
	R 31	GJ250081042103	CARBON RESISTOR	CF 1/6W J 100K			R 307	GJ250083322103	CARBON RESISTOR	CF 1/6W J 3.3K	
	R 32	GJ250083322103	CARBON RESISTOR	CF 1/6W J 3.3K			R 310	GJ250081232103	CARBON RESISTOR	CF 1/6W J 12K	
	R 33	GJ250083312103	CARBON RESISTOR	CF 1/6W J 330			R 311	GJ250081012103	CARBON RESISTOR	CF 1/6W J 100	
	R 35	GJ250082732103	CARBON RESISTOR	CF 1/6W J 27K			R 312	GJ250084312103	C.RESISTOR	CF 1/6W J 430	
	R 36	GJ250082732103	CARBON RESISTOR	CF 1/6W J 27K			R 313	GJ250081202103	C.RESISTOR	CF 1/6W J 12	
	R 37	GJ250085602103	CARBON RESISTOR	CF 1/6W J 56			R 316	GJ250083322103	CARBON RESISTOR	CF 1/6W J 3.3K	
	R 38	GJ250081012103	CARBON RESISTOR	CF 1/6W J 100			R 317	GJ250081032103	CARBON RESISTOR	CF 1/6W J 10K	
	R 39	GJ250081212103	CF RESISTOR	CF 1/6W J 120			R 318	GJ250081012103	CARBON RESISTOR	CF 1/6W J 100	
	R 42	GJ250084732103	CARBON RESISTOR	CF 1/6W J 47K			R 320	GJ250085622103	CARBON RESISTOR	CF 1/6W J 5.6K	
	R 44	GJ250082222103	CARBON RESISTOR	CF 1/6W J 2.2K			R 321	GJ250085622103	CARBON RESISTOR	CF 1/6W J 5.6K	
	R 47	GJ250082202103	CARBON RESISTOR	CF 1/6W J 22			R 328	GJ250081032103	CARBON RESISTOR	CF 1/6W J 10K	
	R 48	GJ250081022103	CARBON RESISTOR	CF 1/6W J 1K			R 332	GJ250081032103	CARBON RESISTOR	CF 1/6W J 10K	
	R 49	GJ250081832103	CARBON RESISTOR	CF 1/6W J 18K			R 356	GJ250081032103	CARBON RESISTOR	CF 1/6W J 10K	
	R 50	GJ250081832103	CARBON RESISTOR	CF 1/6W J 18K			R 360	GJ250081032103	CARBON RESISTOR	CF 1/6W J 10K	
	R 52	GJ250081032103	CARBON RESISTOR	CF 1/6W J 10K			R 361	GJ250084742103	CARBON RESISTOR	CF 1/6W J 470K	
	R 54	GJ250082222103	CARBON RESISTOR	CF 1/6W J 2.2K			R 371	GJ250081032103	CARBON RESISTOR	CF 1/6W J 10K	
	R 55	GJ250082222103	CARBON RESISTOR	CF 1/6W J 2.2K			R 372	GJ250083322103	CARBON RESISTOR	CF 1/6W J 3.3K	
	R 56	GJ250083322103	CARBON RESISTOR	CF 1/6W J 3.3K			R 373	GJ250081012103	CARBON RESISTOR	CF 1/6W J 100	
	R 57	GJ250081022103	CARBON RESISTOR	CF 1/6W J 1K			R 601	GJ250081132103	CARBON RESISTOR	CF 1/6W J 11K	
	R 59	GJ250081022103	CARBON RESISTOR	CF 1/6W J 1K			R 603	GJ250081252103	FUSE RESISTOR	CF 1/6W J 1.2M	
	R 60	GJ250081022103	CARBON RESISTOR	CF 1/6W J 1K			R 605	GJ250082742103	CARBON RESISTOR	CF 1/6W J 270K	
	R 61	GJ250081022103	CARBON RESISTOR	CF 1/6W J 1K			R 606	GJ250081542103	CARBON RESISTOR	CF 1/6W J 150K	
	R 63	GJ250084732103	CARBON RESISTOR	CF 1/6W J 47K			R 607	GJ250082732103	CARBON RESISTOR	CF 1/6W J 27K	
	R 64	GJ250081022103	CARBON RESISTOR	CF 1/6W J 1K			R 609	GJ250081042103	CARBON RESISTOR	CF 1/6W J 100K	
	R 104	GJ250083322103	CARBON RESISTOR	CF 1/6W J 3.3K			R 610	GJ250081542103	CARBON RESISTOR	CF 1/6W J 150K	
	R 106	GJ250083932103	CF RESISTOR	CF 1/6W J 39K			R 612	GJ250081022103	CARBON RESISTOR	CF 1/6W J 1K	
	R 107	GJ250088202103	RES CF	CF 1/6W J 82			R 613	GJ250081212103	CF RESISTOR	CF 1/6W J 120	
	R 108	GJ250081532103	CARBON RESISTOR	CF 1/6W J 15K			R 614	GJ250081002103	CARBON RESISTOR	CF 1/6W J 10	
	R 119	GJ250081042103	CARBON RESISTOR	CF 1/6W J 100K			R 615	GJ250081202103	C.RESISTOR	CF 1/6W J 12	
	R 121	GJ250088202103	RES CF	CF 1/6W J 82			R 616	GJ250089102103	CARBON RESISTOR	CF 1/6W J 91	
	R 122	GJ250082292103	C.RESISTOR	CF 1/6W J 2.2			R 621	GJ250083302103	CARBON RESISTOR	CF 1/6W J 33	
	R 123	GJ250081012103	CARBON RESISTOR	CF 1/6W J 100			R 622	GJ250083302103	CARBON RESISTOR	CF 1/6W J 33	
	R 124	GJ250082222103	CARBON RESISTOR	CF 1/6W J 2.2K			R 623	GJ250083302103	CARBON RESISTOR	CF 1/6W J 33	
	R 125	GJ250081032103	CARBON RESISTOR	CF 1/6W J 10K			R 631	GJ250083312103	CARBON RESISTOR	CF 1/6W J 330	
	R 127	GJ250083322103	CARBON RESISTOR	CF 1/6W J 3.3K			R 632	GJ250081012103	CARBON RESISTOR	CF 1/6W J 100	
	R 131	GJ250081832103	CARBON RESISTOR	CF 1/6W J 18K			R 633	GJ250082732103	CARBON RESISTOR	CF 1/6W J 27K	

## ■ Electrical parts list ( Main board )

Block No. 01

△	Item	Parts number	Parts name	Remarks	Area
	R 641	GJ250085632103	CARBON RESISTOR	CF 1/6W J 56K	
	R 642	GJ250081232103	CARBON RESISTOR	CF 1/6W J 12K	
	R 643	GJ250088222103	CARBON RESISTOR	CF 1/6W J 8.2K	
	R 644	GJ250082232103	CARBON RESISTOR	CF 1/6W J 22K	
	R 645	GJ250082232103	CARBON RESISTOR	CF 1/6W J 22K	
	R 646	GJ250082222103	CARBON RESISTOR	CF 1/6W J 2.2K	
	R 647	GJ250084722103	CARBON RESISTOR	CF 1/6W J 4.7K	
	R 651	GJ250081022103	CARBON RESISTOR	CF 1/6W J 1K	
	R 652	GJ250081022103	CARBON RESISTOR	CF 1/6W J 1K	
	R 653	GJ250081022103	CARBON RESISTOR	CF 1/6W J 1K	
	R 654	GJ250081022103	CARBON RESISTOR	CF 1/6W J 1K	
	R 659	GJ250082712103	CARBON RESISTOR	CF 1/6W J 270	
	R 661	GJ250086832103	CF RESISTOR	CF 1/6W J 68K	
	R 663	GJ250081242103	CARBON RESISTOR	CF 1/6W J 120K	
	R 664	GJ250084712103	CARBON RESISTOR	CF 1/6W J 470	
	R 666	GJ250082202103	CARBON RESISTOR	CF 1/6W J 22	
	R 671	GJ250081022103	CARBON RESISTOR	CF 1/6W J 1K	
	R 672	GJ250081022103	CARBON RESISTOR	CF 1/6W J 1K	
	R 696	GJ250082222103	CARBON RESISTOR	CF 1/6W J 2.2K	
	R 697	GJ250084742103	CARBON RESISTOR	CF 1/6W J 470K	
	R 901	GJ250084722103	CARBON RESISTOR	CF 1/6W J 4.7K	
	R 902	GJ250085632103	CARBON RESISTOR	CF 1/6W J 56K	
	R 903	GJ250081012103	CARBON RESISTOR	CF 1/6W J 100	
	R 904	GJ250088212103	CARBON RESISTOR	CF 1/6W J 820	
	R 906	GJ250085632103	CARBON RESISTOR	CF 1/6W J 56K	
	R 907	GJ250081022103	CARBON RESISTOR	CF 1/6W J 1K	
	R 908	GJ250083322103	CARBON RESISTOR	CF 1/6W J 3.3K	
	R 909	GJ250081022103	CARBON RESISTOR	CF 1/6W J 1K	
	R 910	GJ250081042103	CARBON RESISTOR	CF 1/6W J 100K	
	R 911	GJ250084722103	CARBON RESISTOR	CF 1/6W J 4.7K	
	R 912	GJ250081022103	CARBON RESISTOR	CF 1/6W J 1K	
	R 913	GJ250085622103	CARBON RESISTOR	CF 1/6W J 5.6K	
△	R 914	QRZ0077-4R7X	FUSE RESISTOR	1/4W J 4.7 TAPE	
	R 915	GJ250081012103	CARBON RESISTOR	CF 1/6W J 100	
	R 916	GJ250088212103	CARBON RESISTOR	CF 1/6W J 820	
	R 917	GJ250082202103	CARBON RESISTOR	CF 1/6W J 22	
	R 919	GJ250085632103	CARBON RESISTOR	CF 1/6W J 56K	
	R 920	GJ250084722103	CARBON RESISTOR	CF 1/6W J 4.7K	
	R 922	GJ250081032103	CARBON RESISTOR	CF 1/6W J 10K	
	R 998	GJ251273352201	C RESISTOR	1/2W 3.3M 5%	
	R 999	GJ250083312103	CARBON RESISTOR	1/6W J 330	
	S 301	MSW-17820MVD0	LEAF SWITCH	GJ390140041114	
	S 303	SK-23E01-G9	SLIDE SWITCH	SLIDE SIDE	
	T 2	GJ123388511	IFT	7MM BLACKPCFAZ-	
△	T 9	GJ336570400003	POWER TRANS.	EI-57 AC120V	
	T 301	OH-812320	BIAS OSC COIL	GJ321000140101	
	TC 2	QAT3722-200ZM	T CAPACITOR	TRIMMER 20PF EC	
	TP 2	VMZ0015-002	POST PIN	FM ANT PIN SOCK	
	WR 1	GJ354003940105	WIRE	CN308 TO DECK	
	WR 2	GJ354003960205	WIRE	POWER TO BATT.	
	WR 3	GJ354003980205	WIRE	CN309 TO SPEAKE	
	WR 4	GJ354003990405	WIRE	FW301 TO POWER	
	WR 5	GJ354004000105	WIRE	CN301 TO HEAD	
	WR 6	GJ351004020105	WIRE	CN602 TO CD ME.	
	X 1	QAX0402-001	CRYSTAL	75KHZ +/-20PPM	
	X 651	CSA16.93MXZ040T	CERA LOCK	CER CSA	
	ZD 1	MTZ3.0JB	Z.DIODE	GJ871998307	
	ZD903	MTZJ6.2B-T2	ZENER DIODE	GJ871992342	
	ZD904	MTZJ5.6B	Z DIODE	GJ310030011305	
	ZD905	MTZJ7.5C-T2	ZENER DIODE	GJ310030015005	

## ■ Electrical parts list ( System CPU board )

Block No. 02

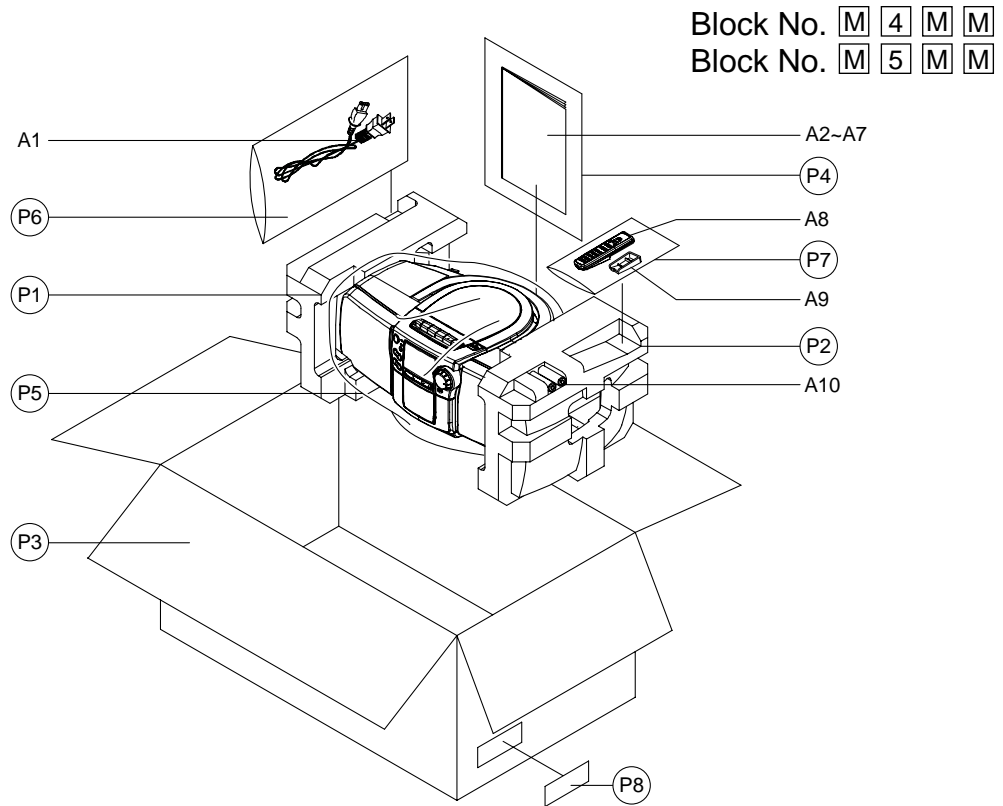
▲	Item	Parts number	Parts name	Remarks	Area	▲	Item	Parts number	Parts name	Remarks	Area
C 702	GJ116323691	C.CAPACITOR	24PF CH 2012 5%			R 723	GJ121607391	C.RESISTOR	10K 1/10W 5%		
C 703	GJ116324091	C.CAPACITOR	36PF CH 2012 Z			R 724	GJ121605791	C.RESISTOR	2.2K 1/10W 5%		
C 704	GJ116324091	C.CAPACITOR	36PF CH 2012 Z			R 725	GJ121605791	C.RESISTOR	2.2K 1/10W 5%		
C 705	GJ116323691	C.CAPACITOR	24PF CH 2012 5%			R 726	GJ121605791	C.RESISTOR	2.2K 1/10W 5%		
C 706	GJ116300991	C.CAPASISTOR	1000PF B 2012 1			R 727	GJ121605791	C.RESISTOR	2.2K 1/10W 5%		
C 707	GJ116303891	C.CAPACITOR	100000PF F 2012			R 728	GJ121607391	C.RESISTOR	10K 1/10W 5%		
C 708	GJ270112270332	E.CAPACITOR	10V M 220UF			R 729	GJ121608991	C.RESISTOR	47K 1/10W 5%		
C 710	GJ116302191	C.CAPASISTOR	10000PF B 2012			R 730	GJ121607391	C.RESISTOR	10K 1/10W 5%		
C 711	GJ112423391	E.CAPACITOR	16V M 10UF			R 732	GJ121609791	C.RESISTOR	100K 1/10W 5%		
C 712	GJ112425791	E.CAPACITOR	50V M 2.2UF			R 733	GJ121609791	C.RESISTOR	100K 1/10W 5%		
C 719	GJ116300991	C.CAPASISTOR	1000PF B 2012 1			R 734	GJ121609791	C.RESISTOR	100K 1/10W 5%		
C 720	GJ116300991	C.CAPASISTOR	1000PF B 2012 1			R 735	GJ121607391	C.RESISTOR	10K 1/10W 5%		
C 721	GJ116302191	C.CAPASISTOR	10000PF B 2012			R 738	GJ121607391	C.RESISTOR	10K 1/10W 5%		
C 722	GJ116311791	C.CAPACITOR	100PF SL 2012 5			R 739	GJ121608191	C.RESISTOR	22K 1/10W 5%		
C 723	GJ116311791	C.CAPACITOR	100PF SL 2012 5			R 740	GJ121607391	C.RESISTOR	10K 1/10W 5%		
C 724	GJ116311791	C.CAPACITOR	100PF SL 2012 5			R 741	GJ121607391	C.RESISTOR	10K 1/10W 5%		
C 725	GJ116311791	C.CAPACITOR	100PF SL 2012 5			R 742	GJ121605791	C.RESISTOR	2.2K 1/10W 5%		
C 727	GJ112678591	E.CAPACITOR	10V M 47UF			R 746	GJ121608191	C.RESISTOR	22K 1/10W 5%		
C 732	GJ116303891	C.CAPACITOR	100000PF F 2012			R 748	GJ121608191	C.RESISTOR	22K 1/10W 5%		
C 738	GJ116312191	C.CAPACITOR	150PF SL 2012 5			R 749	GJ121608991	C.RESISTOR	47K 1/10W 5%		
CN701	QGF1212F1-17	FFC/FPC CONNE	17PINS			R 750	GJ121607391	C.RESISTOR	10K 1/10W 5%		
CN702	GJ156450811	CONNECTOR	5 PIN			R 751	GJ121607391	C.RESISTOR	10K 1/10W 5%		
CN703	QGF1212F1-12	FFC CONNE	12PINS			R 752	GJ121607391	C.RESISTOR	10K 1/10W 5%		
CN704	GJ156451711	CONNECTOR	2PINS RA			R 753	GJ121605791	C.RESISTOR	2.2K 1/10W 5%		
D 702	1SS133Y	DIODE	GJ871999133			R 754	GJ121607391	C.RESISTOR	10K 1/10W 5%		
D 703	UZ5.1BSC-T2	ZENER DIODE	MTZJ5.1B-T77			R 756	GJ121608191	C.RESISTOR	22K 1/10W 5%		
D 706	1SS133Y	DIODE	GJ871999133			R 758	GJ121605791	C.RESISTOR	2.2K 1/10W 5%		
D 707	1SS133Y	DIODE	GJ871999133			R 759	GJ121604991	C.RESISTOR	1K 1/10W 5%		
D 708	1SS133Y	DIODE	GJ871999133			R 760	GJ121604991	C.RESISTOR	1K 1/10W 5%		
D 851	LT0311G-41	LED GREEN STAND	STAND BY/RED CO			R 761	GJ121605791	C.RESISTOR	2.2K 1/10W 5%		
D 852	LT0321-41	ON LED RTP	ON /GREEN COLOR			R 762	GJ121605791	C.RESISTOR	2.2K 1/10W 5%		
DI701	GJ373010282311	LCD	DLC-9833P			R 763	GJ121605791	C.RESISTOR	2.2K 1/10W 5%		
IC701	GJ313010671223	IC	MICOM MN171603Y			R 767	GJ121606591	C.RESISTOR	4.7K 1/10W 5%		
K 701	QQR0779-001Z	INDUCTOR	GJVQZ0048009			R 768	GJ121607391	C.RESISTOR	10K 1/10W 5%		
K 702	QQR0779-001Z	INDUCTOR	GJVQZ0048009			R 770	GJ121605791	C.RESISTOR	2.2K 1/10W 5%		
K 703	QQR0779-001Z	INDUCTOR	GJVQZ0048009			R 772	GJ121604991	C.RESISTOR	1K 1/10W 5%		
L 701	3A839N	INDUCTOR	10UH K RADIAL L			R 773	GJ121607391	C.RESISTOR	10K 1/10W 5%		
L 702	3A839N	INDUCTOR	10UH K RADIAL L			R 774	GJ121604991	C.RESISTOR	1K 1/10W 5%		
Q 701	2SC2714/O/-X	TRANSISTOR	GJ312020341203			R 775	GJ121604991	C.RESISTOR	1K 1/10W 5%		
Q 702	2SC2714/O/-X	TRANSISTOR	GJ312020341203			R 776	GJ121604991	C.RESISTOR	1K 1/10W 5%		
Q 703	2SC2412K/R/-X	TRANSISTOR	GJ872992075			R 777	GJ121604991	C.RESISTOR	1K 1/10W 5%		
Q 704	DTC144EKA-X	TRANSISTOR	GJ872902759			R 778	GJ121604991	C.RESISTOR	1K 1/10W 5%		
Q 705	2SA1037AK/RS/-X	TRANSISTOR	GJ872902649			R 779	GJ121604991	C.RESISTOR	1K 1/10W 5%		
Q 706	DTC143TKA-X	DIGI TRANSISTOR	GJ872902756			R 785	GJ121605791	C.RESISTOR	2.2K 1/10W 5%		
R 701	GJ121604991	C.RESISTOR	1K 1/10W 5%			R 796	GJ121609791	C.RESISTOR	100K 1/10W 5%		
R 702	GJ121607191	C.RESISTOR	8.2K 1/10W 5%			R 797	GJ121606591	C.RESISTOR	4.7K 1/10W 5%		
R 703	GJ121607191	C.RESISTOR	8.2K 1/10W 5%			R 851	GJ121605391	C.RESISTOR	1.5K 1/10W 5%		
R 704	GJ121604991	C.RESISTOR	1K 1/10W 5%			R 852	GJ121605591	C.RESISTOR	1.8K 1/10W 5%		
R 706	GJ121607391	C.RESISTOR	10K 1/10W 5%			R 853	GJ121605991	C.RESISTOR	2.7K 1/10W 5%		
R 707	GJ121607391	C.RESISTOR	10K 1/10W 5%			R 854	GJ121606391	C.RESISTOR	3.9K 1/10W 5%		
R 708	GJ121607391	C.RESISTOR	10K 1/10W 5%			R 855	GJ121606991	C.RESISTOR	6.8K 1/10W 5%		
R 709	GJ121608191	C.RESISTOR	22K 1/10W 5%			R 856	GJ121607591	C.RESISTOR	12K 1/10W 5%		
R 710	GJ121609791	C.RESISTOR	100K 1/10W 5%			R 857	GJ121608791	C.RESISTOR	39K 1/10W 5%		
R 711	GJ121608191	C.RESISTOR	22K 1/10W 5%			R 858	GJ121606791	C.RESISTOR	5.6K 1/10W 5%		
R 712	GJ121607391	C.RESISTOR	10K 1/10W 5%			R 859	GJ121607991	C.RESISTOR	18K 1/10W 5%		
R 714	GJ121608791	C.RESISTOR	39K 1/10W 5%			R 860	GJ121603791	C.RESISTOR	330 1/10W 5%		
R 715	GJ121608591	C.RESISTOR	33K 1/10W 5%			R 861	GJ121604591	C.RESISTOR	680 1/10W 5%		
R 716	GJ121608991	C.RESISTOR	47K 1/10W 5%			R 864	GJ121606791	C.RESISTOR	5.6K 1/10W 5%		
R 717	GJ121608591	C.RESISTOR	33K 1/10W 5%			S 851	QSW0707-001Z	TACT SWITCH	GJ390110171110		
R 718	GJ121607391	C.RESISTOR	10K 1/10W 5%			S 852	QSW0707-001Z	TACT SWITCH	GJ390110171110		
R 719	GJ121609791	C.RESISTOR	100K 1/10W 5%			S 853	QSW0707-001Z	TACT SWITCH	GJ390110171110		
R 720	GJ121609791	C.RESISTOR	100K 1/10W 5%			S 854	QSW0707-001Z	TACT SWITCH	GJ390110171110		
R 721	GJ121605791	C.RESISTOR	2.2K 1/10W 5%			S 855	QSW0707-001Z	TACT SWITCH	GJ390110171110		

## ■ Electrical parts list ( System CPU board )

Block No. 02

△	Item	Parts number	Parts name	Remarks	Area
	S 856	QSW0707-001Z	TACT SWITCH	GJ390110171110	
	S 857	QSW0707-001Z	TACT SWITCH	GJ390110171110	
	S 858	QSW0707-001Z	TACT SWITCH	GJ390110171110	
	S 865	QSW0707-001Z	TACT SWITCH	GJ390110171110	
	S 866	GJ390030152203	SWITCH PUSH SW	PSG-22F0US-Q3.5	
	VR302	QVQ0121-A54	MAIN VOL	GJ299000490002	
	WR701	GJ354004030205	WIRE	CN704 TO CD DO.	
	WR702	GJ354004040105	WIRE	CN702 TO MAIN	
	X 701	QAX0410-001Z	CERA LOCK	MIZCRHF 4.19MHZ	

# Packing materials and accessories parts list



## ■ Packing parts list

Block No. M4MM

△	Item	Parts number	Parts name	Q'ty	Description	Area
	P 1	GJ560340040101	CUSHION (L)	1		
	P 2	GJ560340050101	CUSHION (R)	1		
	P 3	GJ560340140101	CARTON WALL	1	RC-BZ5RD	
		GJ560340130101	CARTON WALL	1	RC-BZ5LB	
	P 4	QPA02503503P	POLY BAG	1	250 X 350	
	P 5	GJ740456520300	POLYBAG PE	1	450 X 650	
	P 6	QPA01503503	POLY BAG	1	150 X 350	
	P 7	QPA01202505	POLY BAG	1	120 X 250	
	P 8	LV30189-001A	CARTON LABEL	1		

## ■ Accessories parts list

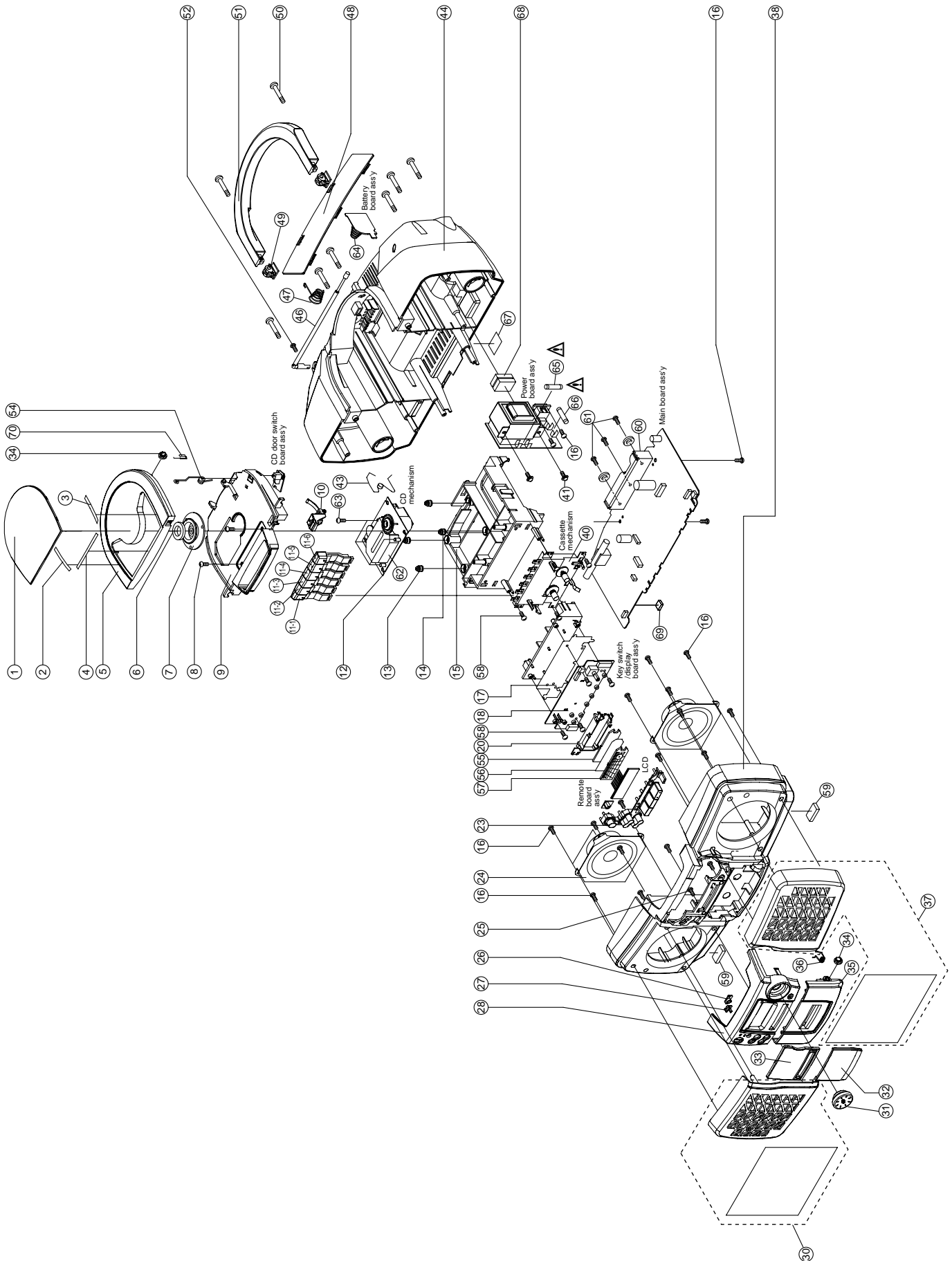
Block No. M5MM

△	Item	Parts number	Parts name	Q'ty	Description	Area
△	A 1	GJ350161831129	POWER CORD	1	7A 120V 1.80M	
	A 2	GJ773012200101	INTRUCTIONS	1	ENG SPA FRE	J,C
	A 3	BT-20044G	ACC SAFETY GUID	1	GJ775000140101	J,C
	A 4	GJ775000200202	SERVICE LIST	1		J,C
	A 5	GJ775000340101	SVC CENTER LIST	1		J,C
	A 6	GJ773030190302	WARRANTY CARD	1		J
	A 7	GJ773030290101	WARRANTY CARD	1		C
	A 8	GJA1002014001C	REMOCON UNIT	1		
	A 9	GJ460340320102	BATTER COVER	1	REMOTE CONTROL	



# Exploded view of general assemble and parts list

Block No. M 1 M M



## ■ Parts list ( General assembly )

Block No. M1MM

△	Item	Parts number	Parts name	Q'ty	Description	Area
	1	GJ460340470101	LENS CD DOOR	1		
	2	GJ670000010330	D.SPACER	1	65X3.5	
	3	GJ670000010340	D.SPACER	1	65X3.5	
	4	GJ670000010350	D.SPACER	1	110-3.0	
	5	GJ460340120101	DOOR CD	1		
	6	VYH7313-005	MAGNET	1		
	7	LV30175-001A	CLAMPER	1		
	8	GJ702224301242	SCREW TT3X12	2	FOR CD CASE	
	9	GJ460340160101	CD CASE	1		
	10	GJ460340020101	BUTTON	1		
	11-1	GJ460340040101	BUTTON(A)MECHA.	1	PAUSE	
	11-2	GJ460340050101	BUTTON(B)MECHA.	1	STOP	
	11-3	GJ460340060101	BUTTON(C)MECHA.	1	FF	
	11-4	GJ460340070101	BUTTON(D)MECHA.	1	REW	
	11-5	GJ460340080101	BUTTON(E)MECHA.	1	PLAY	
	11-6	GJ460340090101	BUTTON(F)MECHA.	1	REC	
	12	-----	CD UNIT EXL-M7B	1	GJA1005002001C	
	13	E75609-001	INSULATOR	2	CD MECHA RED	
	14	E75609-002	INSULATOR	2	CD MECHA PURPLE	
	15	GJ460340170101	HOLDER CD	1		
	16	GJ702244301012	SCREW TT3X10	20	SPEAKE/MAIN PCB	
	17	GJ460340200101	HOLDER	1	CONTROL BOARD	
	18	GJ781000090101	SHIELD PLATE	1		
	20	GJ460340280101	HOLDER(2)	1	LCD	
	23	GJ460340230101	FUNCTION KNOB	1		
	24	LE10010-005A	SPEAKER	2		
	25	GJ702244260812	SCREW TT2.6X8	2	COVER-FRONT	
	26	GJ460340030101	LENS	1	REMOTE SENSOR	
	27	GJ460340260101	LENS	1	LED	
	28	GJ460340290101	FRONT COVER	1		
	30	GJ0005-SPGR	SPEAKER GRILLE	1	SHILD	
	31	GJ460340240101	VOLUME KNOB	1		
	32	GJ460340190101	C.DOOR LENS	1		
	33	GJ460340220101	FRONT LENS	1		
	34	VYH8007-001	GEAR DANPER	2	DOOR	
	35	GJ460340180101	CASSETTE DOOR	1		
	36	LV40210-001A	DOOR SPRING	1		
	37	GJ0006-SPGR	SPEAKER GRILLE	1	SHILD	
	38	GJ460340010101	FRONT CABINET	1		
	40	-----	DECK MECHANISM	1	TN-21ZVC-1800	
	41	GJ702264301412	SCREW TT3X14	2		
	43	GJ711001340101	SPRING	1	ANT CONTACT	
	44	GJ460340100101	REAR CABINET	1		
	46	TA46174	T.PICK ANTENNA	1		
	47	VYH5657-006	BATTERY SPRING	1	SIZE D	
	48	LV20082-001A	BATTERY COVER	1		
	49	VYH8008-001	HANDLE SUPPORT	2		

## ■ Parts list ( General assembly )

Block No. M1MM

△	Item	Parts number	Parts name	Q'ty	Description	Area
	50	GJ702244304512	SCREW TT3X45	8		
	51	GJ460340150101	HANDLE	1		
	52	GJ701224300852	SCREW M3X8	1		
	54	GJ711001330201	SPRING	1		
	55	LV40379-001A	LCD LENS 2	1		
	56	LV40213-001A	LCD SHEET	1		
	57	LV40200-001A	LCD LENS	1		
	58	GJ702244300812	SCREW TT3X8	8		
	59	GJ782000090101	FOOT RUBBER	2		
	60	LV30176-001A	HEAT SINK	1		
	61	QYSDSF3008Z	SCREW	3	HEAT SINK	
	62	202-300002-00	CD COVER PLATE	1		
	63	GJ702224200642	SCREW TT2X6	4	CD COVER	
	64	VYH5483-001	BATTERY SPRING	1		
△	65	QMF51N2-3R0-J1	FUSE	1	3A 125V F902	
△	66	QMF51N2-3R0-J1	FUSE	1	3A 125V F903	
	67	GJ560340060101	NAME PLATE	1		J,C
	68	GJ782000090101	RUBBER SPACER	1		
	69	GJ761000200100	SPACER	1		
	70	GJ500340240101	GEAR SPRING	1	CD DAMP	

## ■ Parts list ( Cassette mechanism assembly )

Block No. M2MM

△	Item	Parts number	Parts name	Q'ty	Description	Area
	1	192114316T	BASE ASSY	1		
	2	19211409T	SWITCH ACTUATOR	1		
	3	19211408T	LOCK CAM	1		
	4	19211403T	REC BUTT.LEVER	1		
	5	19211419T	PLAY BUTT.LEVER	1		
	6	19211404T	REW BUTT. LEVER	1		
	7	19211405T	FF BUTTON LEVER	1		
	8	19211406T	STOP BUTT.LEVER	1		
	9	19211460T	PAUSE BUT.LEVER	1		
	10	19211413AT	SPRING	1	PAUSE LEVER	
	11	19211455T	PAUSE LEVER (E)	1		
	12	19211412T	SPRING	1	PAUSE LEVER	
	13	19211411T	PAUSE STOPPER	1		
	14	19211414T	TORSION SPRING	1		
	15	192101501T	CHASSIS ASS'Y	1		
	16	19211416T	TORSION SPRING	1		
	17	19211417T	TORSION SPRING	1		
	19	182101159T	E.KICK LEVER	1		
	20	19211420T	STOPPER	1		
	21	19211421T	TORSION SPRING	1	REC BUTTON	
	22	19211415T	TORSION SPRING	1	BUTTON LEVER	
	23	MSW-1541T	LEAF SWITCH	1	640101149T	
	24	18210150T	TENSION SPRING	1	PLAY BUTTON	
	25	19210311T	HEAD PANEL	1		
	26	19210304AT	HEAD BASE	1		
	27	19210309T	PANEL P SPRING	1		
	28	19210305T	MAGNET HEAD ARM	1		
	29	18210307T	AZIMUTH SPRING	1	AZIMUTH	
	30	19211418AT	SPRING	1	M CONTROL	
	31	19210310T	MG ARM SPRING	1	MG ARM	
	32	192104309T	P.ROLLER ARM	1		
	35	19212604AT	SENSING LEVER	1		
	36	19212605T	TORSION SPRING	1	GEAR PLATE	
	37	192126502T	GEAR PLATE	1		
	38	19212602T	CAM GEAR	1		
	40	192107304T	R.F.CLUTCH	1		
	41	19210703T	REW/F.F. BELT	1		
	43	192109303T	FLYWHEEL ASSY	1		
	45	18211070T	F.FORWARD GEAR	1		
	46	18211099T	BACK TENSION SP	1		
	47	192105304T	S. REEL ASS'Y	1		
	48	192105303T	T. REEL ASS'Y	1		
	49	19210506T	SENSOR	1		
	51	18211289AT	MOTOR BRACKET	1		
	53	19211202T	COLLAR SCREW	2	SP MOTOR 3X6	
	54	19211201T	MOTOR PULLEY	1		
	55	19210904T	MAIN BELT	1		
	56	19211203T	MB SCREW	1	SP MB 2X	

## ■ Parts list ( Cassette mechanism assembly )

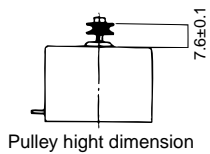
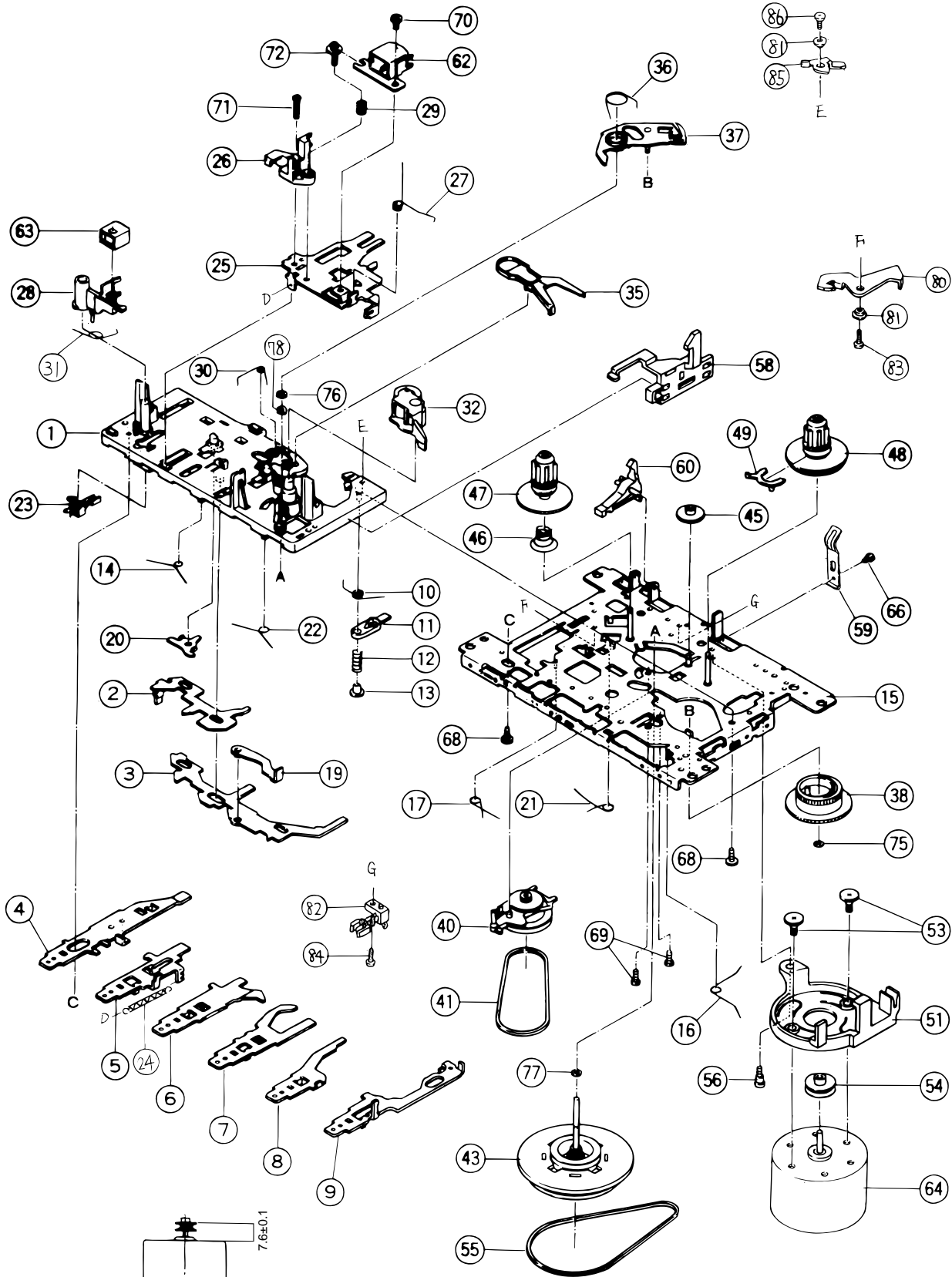
Block No. M2MM

△	Item	Parts number	Parts name	Q'ty	Description	Area
	58	19211301T	EM. SLIDE LEVER	1		
	59	18211093T	PACK SPRING	1	GJ711000820103	
	60	18211069T	RECK.SAF.LEVER	1		
	62	MS15R-AA2N1	R/P.HEAD	1		
	63	PH-K380-MS1-6A	ERASE HEAD	1	GJ382070110003	
	64	60020217T	MOTOR	1		
	66	9P0420031T	TAPPING SCREW	1	PACK SPRING	
	68	9B1020051T	TAPPING SCREW	2	(Ma X 5)	
	69	9C0720451T	TAPPING SCREW	2	(Ma X 4.5)	
	70	9B0120031T	SCREW (+)BIND	1	(Ma X 3)	
	71	9P0120061T	SCREW	1	(Ma X 6)	
	72	9F0820071T	SCREW AZIMUTH	1	(Ma X 7)	
	75	9W0230010T	P.CUT WASHER	1	(12X3.8X0.3)	
	76	9W0250010T	P.CUT WASHER	1	(1.45X3.8X0.5)	
	77	9W0140010T	P.CUT WASHER	1	(2X3.5X0.4)	
	78	9W0113020T	P.CUT WASHER	1	(2X3.5X0.4)	
	80	19210201T	RECK ARM	1		
	81	19211437T	P ARM COLLAR	2		
	82	64010138T	LEAF SWITCH	1		
	83	9P0420041T	C TAPPING SCREW	1	(Ma X 4)	
	84	9P0420051T	C TAPPING SCREW	1	(Ma X 5)	
	85	19211434T	P.ROLLER ARM	1		
	86	9P0820301T	PA TAPPIN.SCREW	1	(Ma X 3)	

# Cassette mechanism assembly and parts list

TN-21ZVC-1800

Block No. M 2 M M

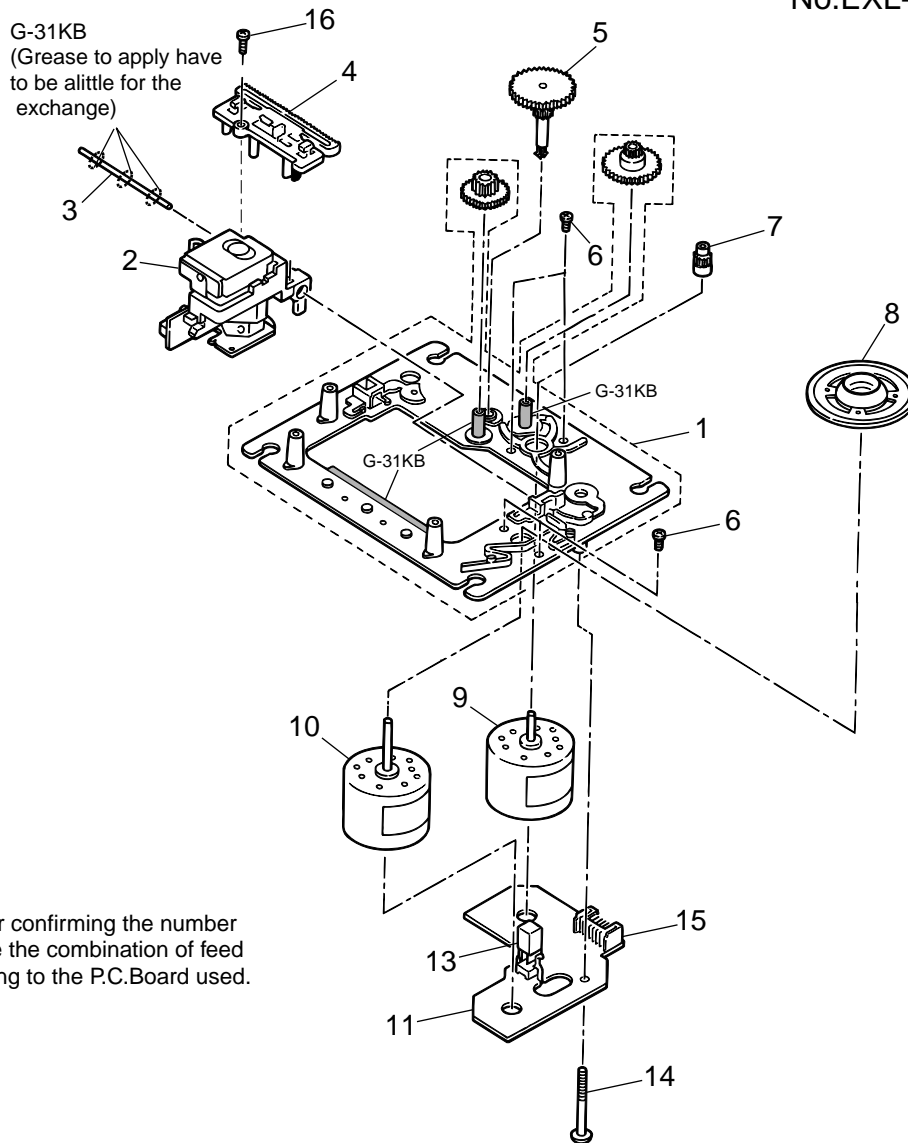


# CD mechanism assembly and parts list

## Grease Point

Block No. M 3 M M

No.EXL-M7B



**NOTE**

Please order motor after confirming the number of the P.C.Board because the combination of feed motor is different according to the P.C.Board used.

## Parts list ( CD mechanism assembly )

Block No. M3MM

Item	Parts number	Parts name	Q'ty	Description	Area
1	GJ560280020101	MECHA BASE	1		
2	OPTIMA-7B	C.D PICK	1		
3	E407782-001	PICK STAFF	1		
4	E307746-001	CD RACK GEAR	1	GEAR SHAFT	
5	GJ560280010101	MECHA GEAR	1		
6	GJ50312003102	SCREW MZX3 B/H	4		
7	E406750-001	PINION GEAR	1		
8	GJA2062001001C	CD TURN TABLE	1		
9	GJ90028678400	FEED MOTOR	1		
10	GJ90028678300	SPINDLE MOTOR	1		
11	EMW10190-001/S/	MECH CIR BOARD	1		
13	GJ157208512	LEAF SWITCH	1		
14	GJ50322623312	SPECIAL SCREW	1		
15	GJ51206010101	6P PLUG ASSY	1		
16	SDSF2006Z	SCREW	1		

## ■ Electrical parts list ( Main board )

Block No. 01

△	Item	Parts number	Parts name	Remarks	Area	△	Item	Parts number	Parts name	Remarks	Area
C 3		GJ264130392101	C.CAPACITOR	50V SL K 3.9PF		C 134		GJ283105622432	M.CAPACITOR	50V K 0.0056UF	
C 6		GJ264271032101	C.CAPACITOR	16V Y M 0.01UF		C 155		GJ264141812101	C.CAPACITOR	50V B K 180PF	
C 7		GJ264141022101	C.CAPACITOR	50V B K 1000PF		C 201		GJ283101022432	M.CAPACITOR	50V K 0.001UF	
C 9		GJ264031202101	A.CAPACITOR	50V SL J 12PF		C 202		GJ283105622432	M.CAPACITOR	50V K 0.0056UF	
C 13		GJ262102232402	C.CAPACITOR	25V YR K 0.022U		C 203		GJ270122260332	E.CAPACITOR	16V M 22UF	
C 16		GJ264271032101	C.CAPACITOR	16V Y M 0.01UF		C 204		GJ282033932415	M.CAPACITOR	50V J 0.039UF	
C 21		GJ262104732402	C.CAPACITOR	25V YR K 0.047U		C 207		GJ270194750332	E.CAPACITOR	50V M 4.7UF	
C 22		GJ285214312415	M.CAPACITOR	PP 100V J 430PF		C 208		GJ270191050332	E.CAPACITOR	50V M 1UF	
C 23		GJ264081202101	C.CAPACITOR	50V CH J 12PF		C 209		GJ283108232432	M.CAPACITOR	50V K 0.082UF	
C 31		GJ264141022101	C.CAPACITOR	50V B K 1000PF		C 210		GJ283108232432	M.CAPACITOR	50V K 0.082UF	
C 32		GJ264271032101	C.CAPACITOR	16V Y M 0.01UF		C 211		GJ283106822432	M.CAPACITOR	50V K 0.0068UF	
C 33		GJ270111070332	E.CAPACITOR	10V M VX 100UF		C 212		GJ282034742415	M.CAPACITOR	50V J 0.47UF	
C 35		GJ270191040332	E.CAPACITOR	50V M 0.1UF		C 213		GJ283102232432	M.CAPACITOR	50V K 0.022UF	
C 36		GJ270194750332	E.CAPACITOR	50V M 4.7UF		C 214		GJ270122260332	E.CAPACITOR	16V M 22UF	
C 37		GJ264141022101	C.CAPACITOR	50V B K 1000PF		C 215		GJ270191040332	E.CAPACITOR	50V M 0.1UF	
C 38		GJ264271032101	C.CAPACITOR	16V Y M 0.01UF		C 217		GJ270191050332	E.CAPACITOR	50V M 1UF	
C 40		GJ264271032101	C.CAPACITOR	16V Y M 0.01UF		C 219		GJ270194750332	E.CAPACITOR	50V M 4.7UF	
C 41		GJ270194750332	E.CAPACITOR	50V M 4.7UF		C 220		GJ270121070332	E.CAPACITOR	16V M 100UF	
C 42		GJ262104732402	C.CAPACITOR	25V YR K 0.047U		C 221		GJ264142212101	C.CAPACITOR	50V B K 220PF	
C 43		GJ270191040332	E.CAPACITOR	50V M 0.1UF		C 222		GJ270121070332	E.CAPACITOR	16V M 100UF	
C 44		GJ270191050332	E.CAPACITOR	50V M 1UF		C 223		GJ270122280132	E.CAPACITOR	16V M 2200UF	
C 45		GJ270191040332	E.CAPACITOR	50V M 0.1UF		C 224		GJ283101042432	M.CAPACITOR	50V K 0.1UF	
C 47		GJ262101532402	C.CAPACITOR	25V YR K 0.015U		C 225		GJ270122260332	E.CAPACITOR	16V M 22UF	
C 48		GJ262101532402	C.CAPACITOR	25V YR K 0.015U		C 230		GJ260772212412	C.CAPACITOR	C 50V SL J 220P	
C 49		GJ270191040332	E.CAPACITOR	50V M 0.1UF		C 234		GJ283105622432	M.CAPACITOR	50V K 0.0056UF	
C 50		GJ270191040332	E.CAPACITOR	50V M 0.1UF		C 255		GJ264141812101	C.CAPACITOR	50V B K 180PF	
C 51		GJ264143312101	C.CAPACITOR	AXIAL 50V B K 3		C 303		GJ260771512412	C.CAPACITOR	50V SL J 150PF	
C 52		GJ264141022101	C.CAPACITOR	50V B K 1000PF		C 304		GJ270114760332	E.CAPACITOR	10V M 47UF	
C 56		GJ264141022101	C.CAPACITOR	50V B K 1000PF		C 305		GJ270122260332	E.CAPACITOR	16V M 22UF	
C 60		GJ264141022101	C.CAPACITOR	50V B K 1000PF		C 306		GJ270114760332	E.CAPACITOR	10V M 47UF	
C 61		GJ270111070332	E.CAPACITOR	10V M VX 100UF		C 308		GJ260771812412	C.CAPACITOR	50V SL J 180PF	
C 62		GJ264081202101	C.CAPACITOR	50V CH J 12PF		C 309		GJ264261822101	C.CAPACITOR	16V X M 0.0018U	
C 63		GJ264141022101	C.CAPACITOR	50V B K 1000PF		C 310		GJ283101822432	M.CAPACITOR	50V K 0.0018UF	
C 64		GJ264081202101	C.CAPACITOR	50V CH J 12PF		C 312		GJ283106822432	M.CAPACITOR	50V K 0.0068UF	
C 65		GJ264141022101	C.CAPACITOR	50V B K 1000PF		C 313		GJ270114760332	E.CAPACITOR	10V M 47UF	
C 69		GJ264262222101	A.CAPACITOR	16V X M 0.0022U		C 315		GJ283104722432	M.CAPACITOR	50V K 0.0047UF	
C 70		GJ270192250332	E.CAPACITOR	50V M 2.2UF		C 318		GJ270146880132	E.CAPACITOR	25V VX M 6800UF	
C 71		GJ270121060332	E.CAPACITOR	16V M 10UF		C 319		GJ270141060332	E.CAPACITOR	25V M 10UF	
C 77		GJ264141022101	C.CAPACITOR	50V B K 1000PF		C 320		GJ270122270332	E.CAPACITOR	16V M 220UF	
C 98		GJ264141012101	C.CAPACITOR	50V B K 100PF		C 321		GJ270111070332	E.CAPACITOR	10V M VX 100UF	
C 99		GJ264141012101	C.CAPACITOR	50V B K 100PF		C 322		GJ264141022101	C.CAPACITOR	50V B K 1000PF	
C 101		GJ283101022432	M.CAPACITOR	50V K 0.001UF		C 323		GJ270111070332	E.CAPACITOR	10V M VX 100UF	
C 102		GJ283105622432	M.CAPACITOR	50V K 0.0056UF		C 324		GJ283101022432	M.CAPACITOR	50V K 0.001UF	
C 103		GJ270122260332	E.CAPACITOR	16V M 22UF		C 325		GJ270111070332	E.CAPACITOR	10V M VX 100UF	
C 104		GJ282033932415	M.CAPACITOR	50V J 0.039UF		C 326		GJ270111070332	E.CAPACITOR	10V M VX 100UF	
C 107		GJ270194750332	E.CAPACITOR	50V M 4.7UF		C 327		GJ270111070332	E.CAPACITOR	10V M VX 100UF	
C 108		GJ270191050332	E.CAPACITOR	50V M 1UF		C 328		GJ270191050332	E.CAPACITOR	50V M 1UF	
C 109		GJ283108232432	M.CAPACITOR	50V K 0.082UF		C 329		GJ270191040332	E.CAPACITOR	50V M 0.1UF	
C 110		GJ283108232432	M.CAPACITOR	50V K 0.082UF		C 330		GJ270194750332	E.CAPACITOR	50V M 4.7UF	
C 111		GJ283106822432	M.CAPACITOR	50V K 0.0068UF		C 350		GJ270194750332	E.CAPACITOR	50V M 4.7UF	
C 112		GJ282034742415	M.CAPACITOR	50V J 0.47UF		C 353		GJ270121060332	E.CAPACITOR	16V M 10UF	
C 113		GJ283102232432	M.CAPACITOR	50V K 0.022UF		C 354		GJ270112270332	E.CAPACITOR	10V M 220UF	
C 114		GJ270122260332	E.CAPACITOR	16V M 22UF		C 357		GJ270122260332	E.CAPACITOR	16V M 22UF	
C 115		GJ270191040332	E.CAPACITOR	50V M 0.1UF		C 371		GJ264141022101	C.CAPACITOR	50V B K 1000PF	
C 117		GJ270191050332	E.CAPACITOR	50V M 1UF		C 604		GJ270111070332	E.CAPACITOR	10V M VX 100UF	
C 119		GJ270194750332	E.CAPACITOR	50V M 4.7UF		C 605		GJ270141060332	E.CAPACITOR	25V M 10UF	
C 120		GJ270121070332	E.CAPACITOR	16V M 100UF		C 606		GJ264141022101	C.CAPACITOR	50V B K 1000PF	
C 121		GJ264142212101	C.CAPACITOR	50V B K 220PF		C 607		GJ264141022101	C.CAPACITOR	50V B K 1000PF	
C 122		GJ270121070332	E.CAPACITOR	16V M 100UF		C 608		GJ270191050332	E.CAPACITOR	50V M 1UF	
C 123		GJ270122280132	E.CAPACITOR	16V M 2200UF		C 609		GJ264141012101	C.CAPACITOR	50V B K 100PF	
C 124		GJ283101042432	M.CAPACITOR	50V K 0.1UF		C 610		GJ282032732415	M.CAPACITOR	50V J 0.027UF	
C 125		GJ270122260332	E.CAPACITOR	16V M 22UF		C 611		GJ264264722101	A.CAPACITOR	16V X M 0.0047U	
C 130		GJ260772212412	C.CAPACITOR	C 50V SL J 220P		C 612		GJ264271032101	C.CAPACITOR	16V Y M 0.01UF	

## ■ Electrical parts list ( Main board )

Block No. 01

△	Item	Parts number	Parts name	Remarks	Area
	C 613	GJ264143312101	C.CAPACITOR	AXIAL 50V B K 3	
	C 614	GJ282031042415	M.CAPACITOR	50V J 0.1UF	
	C 615	GJ264182232101	C.CAPACITOR	25V F Z 0.022UF	
	C 616	GJ264182232101	C.CAPACITOR	25V F Z 0.022UF	
	C 617	GJ264182232101	C.CAPACITOR	25V F Z 0.022UF	
	C 618	GJ264262222101	A.CAPACITOR	16V X M 0.0022U	
	C 619	GJ264142712101	A.CAPACITOR	AXIAL 50V B K 2	
	C 620	GJ264141812101	C.CAPACITOR	50V B K 180PF	
	C 622	GJ270114760332	E.CAPACITOR	10V M 47UF	
	C 623	GJ282031042415	M.CAPACITOR	50V J 0.1UF	
	C 628	GJ262104732402	C.CAPACITOR	25V YR K 0.047U	
	C 629	GJ270111070332	E.CAPACITOR	10V M VX 100UF	
	C 631	GJ270114770332	E.CAPACITOR	10V M 470UF	
	C 632	GJ270111070332	E.CAPACITOR	10V M VX 100UF	
	C 640	GJ264278222101	C.CAPACITOR	16V X M 0.0082U	
	C 641	GJ264182232101	C.CAPACITOR	25V F Z 0.022UF	
	C 651	GJ264032202101	C.CAPACITOR	50V SL J 22PF	
	C 652	GJ264032202101	C.CAPACITOR	50V SL J 22PF	
	C 653	GJ264182232101	C.CAPACITOR	25V F Z 0.022UF	
	C 655	GJ262104732402	C.CAPACITOR	25V YR K 0.047U	
	C 661	GJ264144712101	C.CAPACITOR	50V B K 470PF	
	C 662	GJ264182232101	C.CAPACITOR	25V F Z 0.022UF	
	C 663	GJ28203232415	M.CAPACITOR	50V J 0.022UF	
	C 664	GJ264182232101	C.CAPACITOR	25V F Z 0.022UF	
	C 665	GJ282031042415	M.CAPACITOR	50V J 0.1UF	
	C 671	GJ264262222101	A.CAPACITOR	16V X M 0.0022U	
	C 672	GJ264262222101	A.CAPACITOR	16V X M 0.0022U	
	C 673	GJ270112270332	E.CAPACITOR	10V M 220UF	
	C 674	GJ264182232101	C.CAPACITOR	25V F Z 0.022UF	
	C 675	GJ264141022101	C.CAPACITOR	50V B K 1000PF	
	C 676	GJ264141022101	C.CAPACITOR	50V B K 1000PF	
	C 690	GJ264271032101	C.CAPACITOR	16V Y M 0.01UF	
	C 691	GJ264141512101	C.CAPACITOR	50V B K 150PF	
	C 692	GJ264141512101	C.CAPACITOR	50V B K 150PF	
	C 693	GJ264141512101	C.CAPACITOR	50V B K 150PF	
	C 694	GJ264141512101	C.CAPACITOR	50V B K 150PF	
	C 695	GJ264271032101	C.CAPACITOR	16V Y M 0.01UF	
	C 696	GJ264141012101	C.CAPACITOR	50V B K 100PF	
	C 697	GJ264141012101	C.CAPACITOR	50V B K 100PF	
	C 698	GJ264141012101	C.CAPACITOR	50V B K 100PF	
	C 699	GJ264141012101	C.CAPACITOR	50V B K 100PF	
	C 709	GJ270102280132	E.CAPACITOR	6.3V M 2200UF	
	C 901	GJ262772232412	C.CAPACITOR	50V F Z 0.022UF	
	C 902	GJ262772232412	C.CAPACITOR	50V F Z 0.022UF	
	C 903	GJ262772232412	C.CAPACITOR	50V F Z 0.022UF	
	C 904	GJ262772232412	C.CAPACITOR	50V F Z 0.022UF	
	C 905	GJ264271032101	C.CAPACITOR	16V Y M 0.01UF	
	C 906	GJ264271032101	C.CAPACITOR	16V Y M 0.01UF	
	C 908	GJ264271032101	C.CAPACITOR	16V Y M 0.01UF	
	C 909	GJ270194750332	E.CAPACITOR	50V M 4.7UF	
	C 910	GJ270112270332	E.CAPACITOR	10V M 220UF	
	C 911	GJ270122260332	E.CAPACITOR	16V M 22UF	
	C 912	GJ264271032101	C.CAPACITOR	16V Y M 0.01UF	
	C 913	GJ264271032101	C.CAPACITOR	16V Y M 0.01UF	
	C 914	GJ270112270332	E.CAPACITOR	10V M 220UF	
	C 915	GJ270111070332	E.CAPACITOR	10V M VX 100UF	
	C 916	GJ270114760332	E.CAPACITOR	10V M 47UF	
	CF 1	QAX0403-001	C FILTER	FM 10.7M	
	CF 3	QAX0538-001Z	CRYSTAL	FM CDA10.7	
	CN301	GJ156450711	CONNECTOR	4PINS ST	
	CN303	QGF1212C1-13	FFC CONNECTOR	13PIN	
	CN304	QGF1212C1-17	FFC CONNECTOR	17PINS	
	CN306	TID-X03P-MI	CONNECTOR	3 PINS RA WHIT	

△	Item	Parts number	Parts name	Remarks	Area
	CN307	5268-03A	CONNECTOR	3PINS RA	
	CN308	GJ156450911	CONNECTOR	6PINS ST	
	CN309	GJ158016511	TRANSISTOR	4PINS ST	
	CN310	QGA2501C3-03Z	CONNECTOR IM	GJ156450611	
	CN601	QGF1025C1-15	21-41 CONNECTOR	15PIN	
	D 1	SVC203SPA-JV-T	VARI CAP	VARIABLE FM CAP	
	D 2	SVC203SPA-JV-T	VARI CAP	VARIABLE FM CAP	
	D 5	1SS133Y	DIODE	GJ871999133	
	D 6	1SS133Y	DIODE	GJ871999133	
	D 8	KV1555N-T	VARI CAPACITOR	VARIABLE AM CAP	
	D 12	IN4001	DIODE	RECT 1N4001 BUL	
	D 301	1SS133Y	DIODE	GJ871999133	
	D 303	1SS133Y	DIODE	GJ871999133	
	D 304	1SS133Y	DIODE	GJ871999133	
	D 305	1SS133Y	DIODE	GJ871999133	
	D 307	1SS133Y	DIODE	GJ871999133	
	D 661	1SS133Y	DIODE	GJ871999133	
△	D 901	1N5401-M	SI DIODE	GJ871903152	
△	D 902	1N5401-M	SI DIODE	GJ871903152	
△	D 903	1N5401-M	SI DIODE	GJ871903152	
△	D 904	1N5401-M	SI DIODE	GJ871903152	
	D 905	1SS133Y	DIODE	GJ871999133	
	D 906	1SS133Y	DIODE	GJ871999133	
	D 907	1SS133Y	DIODE	GJ871999133	
	D 908	1SS133Y	DIODE	GJ871999133	
	D 909	1SS133Y	DIODE	GJ871999133	
	D 910	1SS133Y	DIODE	GJ871999133	
	D 911	1SS133Y	DIODE	GJ871999133	
	D 912	IN4001	DIODE	RECT 1N4001 BUL	
	D 914	1SS133Y	DIODE	GJ871999133	
	D 915	1SS133Y	DIODE	GJ871999133	
	D 917	1SS133Y	DIODE	GJ871999133	
	D 918	1SS133Y	DIODE	GJ871999133	
	D 995	1SS133Y	DIODE	GJ871999133	
	FC902	QNG0003-001Z	FUSE CLIP	GJ153321741	
	FC903	QNG0003-001Z	FUSE CLIP	GJ153321741	
	FC905	QNG0003-001Z	FUSE CLIP	GJ153321741	
	FC906	QNG0003-001Z	FUSE CLIP	GJ153321741	
	FW 1	GJ353170240107	CARD WIRE	CN304 TO CN701	
	FW 2	VWF1015-08TTA	CARD WIRE	CN304 TO CD	
	FW 3	GJ353130150107	CARD WIRE	CN303 TO CN703	
	IC 1	TA2104AN	IC	DIP 24 IF&MPX	
	IC 2	LC72136N	IC	PLL IC	
	IC301	TA2068N	IC	GJ313020121101	
△	IC302	LA4597K	IC	DIP POWER AMP	
	IC303	M62420SP-700	IC	GJ313060301112	
	IC304	BA15218N	IC	GJ313010021103	
	IC601	AN8806SB	IC	RF AMP	
	IC602	BA6897FP	IC	POWER DRIVER	
	IC603	MN35510	IC	1 CHIP PROCISSE	
△	J 9	QNC0043-001	AC SOCKET	125V 7A	
	J 301	GJ342010200113	JACK,	H/P MSJ2000 (BL	
	K 1	QQR0779-001Z	INDUCTOR	GJVQZ0048009	
	K 601	QQR0779-001Z	INDUCTOR	GJVQZ0048009	
	K 602	QQR0779-001Z	INDUCTOR	GJVQZ0048009	
	L 1	VQF1B20-019	OSC COIL	FM OSC	
	L 2	VQC1505-002L	RF COIL	FM RF	
	L 3	VQB008M-506	BAR ANTENA	GJVQB008M506	
	L 4	QQR0723-001	OSC COIL	AM OSC 7.5MM RE	
	L 7	VQP0018-221	INDUCTOR	220UH 10% Q40	
	L 10	QQL231K-4R7Y	INDUCTOR	4.7UH	
	L 12	V03047-16	RF COIL	SPRING CW	
	L 601	3A839N	INDUCTOR	10UH RADIAL LEA	

## ■ Electrical parts list ( Main board )

Block No. 01

△	Item	Parts number	Parts name	Remarks	Area	△	Item	Parts number	Parts name	Remarks	Area
	L 602	GJ141033431	INDUCTOR	100UH 10% Q40			R 57	GJ250081022103	CARBON RESISTOR	1/6W J 1K	
	L 901	VQP0028-330Z	INDUCTOR	33UH EL0606RA			R 59	GJ250081022103	CARBON RESISTOR	1/6W J 1K	
	Q 1	2SC2668/O/T	TRANSISTOR	GJ312020351201			R 60	GJ250081022103	CARBON RESISTOR	1/6W J 1K	
	Q 101	2SC2001/LK/-T	TRANSISTOR	GJ872914247			R 61	GJ250081022103	CARBON RESISTOR	1/6W J 1K	
	Q 103	2SC3330/ST/-T	TRANSISTOR	GJ312030091201			R 63	GJ250084732103	CARBON RESISTOR	1/6W J 47K	
	Q 201	2SC2001/LK/-T	TRANSISTOR	GJ872914247			R 64	GJ250081022103	CARBON RESISTOR	1/6W J 1K	
	Q 203	2SC3330/ST/-T	TRANSISTOR	GJ312030091201			R 101	GJ250083022103	CARBON RESISTOR	1/6W J 3.0K	
	Q 302	KRA102M-T	D.TRANSISTOR	GJ872903715			R 102	GJ250081022103	CARBON RESISTOR	1/6W J 1K	
	Q 303	2SC2458/YG/-T	TRANSISTOR	GJ872923044			R 103	GJ250081822103	CARBON RESISTOR	1/6W J 1.8K	
	Q 304	2SA1015/YG/-T	TRANSISTOR	GJ872923115			R 104	GJ250083322103	CARBON RESISTOR	1/6W J 3.3K	
	Q 305	KRC102M-T	D.TRANSISTOR	GJ872903658			R 106	GJ250088232103	CARBON RESISTOR	1/6W J 82K	
	Q 306	8550C	TRANSISTOR	GJ312080042204			R 107	GJ250088202103	RES CF	1/6W J 82	
	Q 308	DTC143ES	TRANSISTOR	GJ872992166			R 108	GJ250081532103	CARBON RESISTOR	1/6W J 15K	
	Q 309	2SC2458/YG/-T	TRANSISTOR	GJ872923044			R 109	GJ250081822103	CARBON RESISTOR	1/6W J 1.8K	
	Q 310	DTC143ESA-T	TR I/M	GJ872902947			R 110	GJ250081822103	CARBON RESISTOR	1/6W J 1.8K	
	Q 311	2SC2001/LK/-T	TRANSISTOR	GJ872914247			R 111	GJ250085622103	CARBON RESISTOR	1/6W J 5.6K	
	Q 312	2SC2001/LK/-T	TRANSISTOR	GJ872914247			R 112	GJ250082242103	CARBON RESISTOR	1/6W J 220K	
	Q 313	2SC2001/LK/-T	TRANSISTOR	GJ872914247			R 113	GJ250082242103	CARBON RESISTOR	1/6W J 220K	
	Q 315	2SC2458/YG/-T	TRANSISTOR	GJ872923044			R 114	GJ250081532103	CARBON RESISTOR	1/6W J 15K	
	Q 316	2SA1015/YG/-T	TRANSISTOR	GJ872923115			R 116	GJ250081022103	CARBON RESISTOR	1/6W J 1K	
	Q 317	2SC2458/YG/-T	TRANSISTOR	GJ872923044			R 117	GJ250081032103	CARBON RESISTOR	1/6W J 10K	
	Q 318	DTC143ESA-T	TR I/M	GJ872902947			R 119	GJ250081042103	CARBON RESISTOR	1/6W J 100K	
	Q 601	2SA952/LK/-T	TRANSISTOR	GJ312090101202			R 120	GJ250081832103	CARBON RESISTOR	1/6W J 18K	
	Q 631	2SA952/LK/-T	TRANSISTOR	GJ312090101202			R 121	GJ250088202103	RES CF	1/6W J 82	
△	Q 901	2SB772/QP/	TRANSISTOR	GJ312070021102			R 122	GJ250082292103	C.RESISTOR	1/6W J 2.2	
	Q 902	2SC2458/YG/-T	TRANSISTOR	GJ872923044			R 123	GJ250081012103	CARBON RESISTOR	1/6W J 100	
△	Q 903	8550C	TRANSISTOR	GJ312080042204			R 124	GJ250082222103	CARBON RESISTOR	1/6W J 2.2K	
	Q 904	2SC2458/YG/-T	TRANSISTOR	GJ872923044			R 134	GJ250083922103	CARBON RESISTOR	1/6W J 3.9K	
△	Q 906	8550C	TRANSISTOR	GJ312080042204			R 136	GJ250082722103	CARBON RESISTOR	1/6W J 2.7K	
	Q 907	2SC2458/YG/-T	TRANSISTOR	GJ872923044			R 137	GJ250086822103	CARBON RESISTOR	1/6W J 6.8K	
△	Q 908	2SB772/QP/	TRANSISTOR	GJ312070021102			R 201	GJ250083022103	CARBON RESISTOR	1/6W J 3.0K	
	Q 909	2SC2458/YG/-T	TRANSISTOR	GJ872923044			R 202	GJ250081022103	CARBON RESISTOR	1/6W J 1K	
	Q 911	2SC2458/YG/-T	TRANSISTOR	GJ872923044			R 203	GJ250081822103	CARBON RESISTOR	1/6W J 1.8K	
	R 1	GJ250081042103	CARBON RESISTOR	1/6W J 100K			R 204	GJ250083322103	CARBON RESISTOR	1/6W J 3.3K	
	R 2	GJ250084732103	CARBON RESISTOR	1/6W J 47K			R 206	GJ250088232103	CARBON RESISTOR	1/6W J 82K	
	R 3	GJ250082702103	CARBON RESISTOR	1/6W J 27			R 207	GJ250088202103	RES CF	1/6W J 82	
	R 4	GJ250084732103	CARBON RESISTOR	1/6W J 47K			R 208	GJ250081532103	CARBON RESISTOR	1/6W J 15K	
	R 7	GJ250081042103	CARBON RESISTOR	1/6W J 100K			R 209	GJ250081822103	CARBON RESISTOR	1/6W J 1.8K	
	R 9	GJ250084722103	CARBON RESISTOR	1/6W J 4.7K			R 210	GJ250081822103	CARBON RESISTOR	1/6W J 1.8K	
	R 13	GJ250081042103	CARBON RESISTOR	1/6W J 100K			R 211	GJ250085622103	CARBON RESISTOR	1/6W J 5.6K	
	R 18	GJ250081022103	CARBON RESISTOR	1/6W J 1K			R 212	GJ250082242103	CARBON RESISTOR	1/6W J 220K	
	R 20	GJ250081022103	CARBON RESISTOR	1/6W J 1K			R 213	GJ250082242103	CARBON RESISTOR	1/6W J 220K	
	R 24	GJ250086812103	CARBON RESISTOR	1/6W J 680			R 214	GJ250081532103	CARBON RESISTOR	1/6W J 15K	
	R 25	GJ250081022103	CARBON RESISTOR	1/6W J 1K			R 216	GJ250081022103	CARBON RESISTOR	1/6W J 1K	
	R 30	GJ250081832103	CARBON RESISTOR	1/6W J 18K			R 217	GJ250081032103	CARBON RESISTOR	1/6W J 10K	
	R 31	GJ250081042103	CARBON RESISTOR	1/6W J 100K			R 219	GJ250081042103	CARBON RESISTOR	1/6W J 100K	
	R 32	GJ250083322103	CARBON RESISTOR	1/6W J 3.3K			R 220	GJ250081832103	CARBON RESISTOR	1/6W J 18K	
	R 33	GJ250083312103	CARBON RESISTOR	1/6W J 330			R 221	GJ250088202103	RES CF	1/6W J 82	
	R 35	GJ250082732103	CARBON RESISTOR	1/6W J 27K			R 222	GJ250082292103	C.RESISTOR	1/6W J 2.2	
	R 36	GJ250082732103	CARBON RESISTOR	1/6W J 27K			R 223	GJ250081012103	CARBON RESISTOR	1/6W J 100	
	R 37	GJ250085602103	CARBON RESISTOR	1/6W J 56			R 224	GJ250082222103	CARBON RESISTOR	1/6W J 2.2K	
	R 38	GJ250081012103	CARBON RESISTOR	1/6W J 100			R 234	GJ250083922103	CARBON RESISTOR	1/6W J 3.9K	
	R 39	GJ250081212103	CF RESISTOR	1/6W J 120			R 236	GJ250082722103	CARBON RESISTOR	1/6W J 2.7K	
	R 42	GJ250084732103	CARBON RESISTOR	1/6W J 47K			R 237	GJ250086822103	CARBON RESISTOR	1/6W J 6.8K	
	R 44	GJ250082222103	CARBON RESISTOR	1/6W J 2.2K			R 302	GJ250081032103	CARBON RESISTOR	1/6W J 10K	
	R 47	GJ250082202103	CARBON RESISTOR	1/6W J 22			R 303	GJ250084752103	RES CF	1/6W J 4.7M	
	R 48	GJ250081022103	CARBON RESISTOR	1/6W J 1K			R 304	GJ250081032103	CARBON RESISTOR	1/6W J 10K	
	R 49	GJ250081832103	CARBON RESISTOR	1/6W J 18K			R 305	GJ250081822103	CARBON RESISTOR	1/6W J 1.8K	
	R 50	GJ250081832103	CARBON RESISTOR	1/6W J 18K			R 306	GJ250081822103	CARBON RESISTOR	1/6W J 1.8K	
	R 52	GJ250081032103	CARBON RESISTOR	1/6W J 10K			R 307	GJ250083322103	CARBON RESISTOR	1/6W J 3.3K	
	R 54	GJ250082222103	CARBON RESISTOR	1/6W J 2.2K			R 308	GJ250085622103	CARBON RESISTOR	1/6W J 5.6K	
	R 55	GJ250082222103	CARBON RESISTOR	1/6W J 2.2K			R 309	GJ250085622103	CARBON RESISTOR	1/6W J 5.6K	
	R 56	GJ250083322103	CARBON RESISTOR	1/6W J 3.3K			R 310	GJ250081232103	CARBON RESISTOR	1/6W J 12K	



## ■ Electrical parts list ( Main board )

Block No. 01

△	Item	Parts number	Parts name	Remarks	Area
	R 311	GJ250081012103	CARBON RESISTOR	1/6W J 100	
	R 312	GJ250084312103	C.RESISTOR	1/6W J 430	
	R 313	GJ250081202103	C.RESISTOR	1/6W J 12	
△	R 315	GJ250081012103	CARBON RESISTOR	1/6W J 100	
	R 316	GJ250083322103	CARBON RESISTOR	1/6W J 3.3K	
	R 317	GJ250081032103	CARBON RESISTOR	1/6W J 10K	
	R 318	GJ250081012103	CARBON RESISTOR	1/6W J 100	
△	R 319	GJ250081012103	CARBON RESISTOR	1/6W J 100	
	R 320	GJ250085622103	CARBON RESISTOR	1/6W J 5.6K	
	R 321	GJ250085622103	CARBON RESISTOR	1/6W J 5.6K	
	R 322	GJ250081042103	CARBON RESISTOR	1/6W J 100K	
	R 323	GJ250082222103	CARBON RESISTOR	1/6W J 2.2K	
	R 327	GJ250086822103	CARBON RESISTOR	1/6W J 6.8K	
	R 328	GJ250081032103	CARBON RESISTOR	1/6W J 10K	
	R 329	GJ250084722103	CARBON RESISTOR	1/6W J 4.7K	
	R 330	GJ250084722103	CARBON RESISTOR	1/6W J 4.7K	
	R 331	GJ250081012103	CARBON RESISTOR	1/6W J 100	
	R 332	GJ250081032103	CARBON RESISTOR	1/6W J 10K	
	R 356	GJ250081032103	CARBON RESISTOR	1/6W J 10K	
	R 360	GJ250081032103	CARBON RESISTOR	1/6W J 10K	
	R 361	GJ250084742103	CARBON RESISTOR	1/6W J 470K	
	R 371	GJ250081032103	CARBON RESISTOR	1/6W J 10K	
	R 372	GJ250083322103	CARBON RESISTOR	1/6W J 3.3K	
	R 373	GJ250081012103	CARBON RESISTOR	1/6W J 100	
	R 374	GJ250081042103	CARBON RESISTOR	1/6W J 100K	
	R 601	GJ250081132103	CARBON RESISTOR	CF 1/6W J 11K	
	R 603	GJ250081252103	FUSE RESISTOR	1/6W J 1.2M	
	R 605	GJ250082742103	CARBON RESISTOR	1/6W J 270K	
	R 606	GJ250081542103	CARBON RESISTOR	1/6W J 150K	
	R 607	GJ250082732103	CARBON RESISTOR	1/6W J 27K	
	R 609	GJ250081042103	CARBON RESISTOR	1/6W J 100K	
	R 610	GJ250081542103	CARBON RESISTOR	1/6W J 150K	
	R 612	GJ250081022103	CARBON RESISTOR	1/6W J 1K	
	R 613	GJ250081212103	CF RESISTOR	1/6W J 120	
	R 614	GJ250081002103	CARBON RESISTOR	1/6W J 10	
	R 615	GJ250081202103	C.RESISTOR	1/6W J 12	
	R 616	GJ250089102103	CARBON RESISTOR	1/6W J 91	
	R 621	GJ250083302103	CARBON RESISTOR	1/6W J 33	
	R 622	GJ250083302103	CARBON RESISTOR	1/6W J 33	
	R 623	GJ250083302103	CARBON RESISTOR	1/6W J 33	
	R 631	GJ250083312103	CARBON RESISTOR	1/6W J 330	
	R 632	GJ250081012103	CARBON RESISTOR	1/6W J 100	
	R 633	GJ250082732103	CARBON RESISTOR	1/6W J 27K	
	R 641	GJ250085632103	CARBON RESISTOR	1/6W J 56K	
	R 642	GJ250081232103	CARBON RESISTOR	1/6W J 12K	
	R 643	GJ250088222103	CARBON RESISTOR	1/6W J 8.2K	
	R 644	GJ250082232103	CARBON RESISTOR	1/6W J 22K	
	R 645	GJ250082232103	CARBON RESISTOR	1/6W J 22K	
	R 646	GJ250082222103	CARBON RESISTOR	1/6W J 2.2K	
	R 647	GJ250084722103	CARBON RESISTOR	1/6W J 4.7K	
	R 651	GJ250081022103	CARBON RESISTOR	1/6W J 1K	
	R 652	GJ250081022103	CARBON RESISTOR	1/6W J 1K	
	R 653	GJ250081022103	CARBON RESISTOR	1/6W J 1K	
	R 654	GJ250081022103	CARBON RESISTOR	1/6W J 1K	
	R 659	GJ250082712103	CARBON RESISTOR	1/6W J 270	
	R 661	GJ250086832103	CF RESISTOR	1/6W J 68K	
	R 663	GJ250081242103	CARBON RESISTOR	1/6W J 120K	
	R 664	GJ250084712103	CARBON RESISTOR	1/6W J 470	
	R 666	GJ250082202103	CARBON RESISTOR	1/6W J 22	
	R 671	GJ250081022103	CARBON RESISTOR	1/6W J 1K	
	R 672	GJ250081022103	CARBON RESISTOR	1/6W J 1K	
	R 696	GJ250082222103	CARBON RESISTOR	1/6W J 2.2K	
	R 697	GJ250084742103	CARBON RESISTOR	1/6W J 470K	

△	Item	Parts number	Parts name	Remarks	Area
	R 901	GJ250084722103	CARBON RESISTOR	1/6W J 4.7K	
	R 902	GJ250085632103	CARBON RESISTOR	1/6W J 56K	
	R 903	GJ250081012103	CARBON RESISTOR	1/6W J 100	
	R 904	GJ250088212103	CARBON RESISTOR	1/6W J 820	
	R 906	GJ250085632103	CARBON RESISTOR	1/6W J 56K	
	R 907	GJ250081022103	CARBON RESISTOR	1/6W J 1K	
	R 908	GJ250083322103	CARBON RESISTOR	1/6W J 3.3K	
	R 909	GJ250081022103	CARBON RESISTOR	1/6W J 1K	
	R 910	GJ250081042103	CARBON RESISTOR	1/6W J 100K	
	R 911	GJ250084722103	CARBON RESISTOR	1/6W J 4.7K	
	R 912	GJ250081022103	CARBON RESISTOR	1/6W J 1K	
	R 913	GJ250085622103	CARBON RESISTOR	1/6W J 5.6K	
△	R 914	QPZ0077-4R7X	RESISTOR	1/4W J 4.7	
	R 915	GJ250081012103	CARBON RESISTOR	1/6W J 100	
	R 916	GJ250088212103	CARBON RESISTOR	1/6W J 820	
	R 917	GJ250082202103	CARBON RESISTOR	1/6W J 22	
	R 919	GJ250085632103	CARBON RESISTOR	1/6W J 56K	
	R 920	GJ250084722103	CARBON RESISTOR	1/6W J 4.7K	
	R 922	GJ250081032103	CARBON RESISTOR	1/6W J 10K	
	R 998	GJ251273352201	C RESISTOR	3.3M 5% W/UL&CS	
	R 999	GJ250083312103	CARBON RESISTOR	1/6W J 330	
	S 301	GJ390140041114	LEAF SWITCH	MSW-17820MVD0	
	S 303	SK-23E01-G9	SLIDE SWITCH	SLIDE SIDE	
	T 2	GJ123388511	IFT	7MM BLACK	
△	T 9	GJ336570400003	POWER TRANS.	EI-57 AC120V	
	T 301	OH-812320	BIAS OSC COIL	GJ321000140101	
	TC 2	QAT3722-200ZM	T CAPACITOR	TRIMMER 20PF EC	
	TP 2	VMZ0015-002	POST PIN	GJ156418711	
	WR 1	GJ354003940105	WIRE	CN308 TO DECK	
	WR 2	GJ354003960205	WIRE	POWER TO BATT.	
	WR 3	GJ354003980205	WIRE	CN309 TO SPEAKE	
	WR 4	GJ354003990405	WIRE	FW301 TO POWER	
	WR 5	GJ354004000105	WIRE	CN301 TO HEAD	
	WR 6	GJ354004020105	WIRE	CN602 TO CD MEC	
	X 1	QAX0402-001	CRYSTAL	75KHZ +/-20PPM	
	X 651	QAX0369-001Z	CERA LOCK	16.9344MHZ	
	ZD 1	MTZJ3.0JB	DIODE	GJ871998307	
	ZD302	UZ4.3BSB-T2	ZENER DIODE	GJ310030014405	
	ZD903	MTZJ6.2B-T2	ZENER DIODE	GJ871992342	
	ZD904	MTZJ5.6JB	ZENER DIODE	GJ310030011305	
	ZD905	MTZJ7.5C-T2	ZENER DIODE	GJ310030015005	

## ■ Electrical parts list ( System CPU board )

Block No. 02

Item	Parts number	Parts name	Remarks	Area	Item	Parts number	Parts name	Remarks	Area
C 702	GJ116323691	C.CAPACITOR	24PF CH 2012 5%		R 709	GJ121608191	C.RESISTOR	22K 1/10W 5%	
C 703	GJ116324091	C.CAPACITOR	36PF CH 2012 5%		R 710	GJ121609791	C.RESISTOR	100K 1/10W 5%	
C 704	GJ116324091	C.CAPACITOR	36PF CH 2012 5%		R 711	GJ121608191	C.RESISTOR	22K 1/10W 5%	
C 705	GJ116323691	C.CAPACITOR	24PF CH 2012 5%		R 712	GJ121607391	C.RESISTOR	10K 1/10W 5%	
C 706	GJ116300991	C.CAPASISTOR	1000PF B 2012 1		R 713	GJ121607391	C.RESISTOR	10K 1/10W 5%	
C 707	GJ116303891	C.CAPACITOR	10000PF F 2012		R 714	GJ121608791	C.RESISTOR	39K 1/10W 5%	
C 708	GJ270112270332	E.CAPACITOR	10V M 220UF		R 715	GJ121608591	C.RESISTOR	33K 1/10W 5%	
C 710	GJ116302191	C.CAPASISTOR	10000PF B 2012		R 716	GJ121608991	C.RESISTOR	47K 1/10W 5%	
C 711	GJ112423391	E.CAPACITOR	16V M 10UF		R 717	GJ121608591	C.RESISTOR	33K 1/10W 5%	
C 712	GJ112425791	E.CAPACITOR	50V M 2.2UF		R 718	GJ121607391	C.RESISTOR	10K 1/10W 5%	
C 714	GJ116312191	C.CAPACITOR	150PF SL 2012 5		R 719	GJ121609791	C.RESISTOR	100K 1/10W 5%	
C 716	GJ116312191	C.CAPACITOR	150PF SL 2012 5		R 720	GJ121609791	C.RESISTOR	100K 1/10W 5%	
C 717	GJ116310191	C.CAPACITOR	22PF SL 2012 5%		R 721	GJ121605791	C.RESISTOR	2.2K 1/10W 5%	
C 718	GJ116323791	C.CAPACITOR	27PF CH 2012 5%		R 722	GJ121609791	C.RESISTOR	100K 1/10W 5%	
C 719	GJ116300991	C.CAPASISTOR	1000PF B 2012 1		R 723	GJ121607391	C.RESISTOR	10K 1/10W 5%	
C 720	GJ116300991	C.CAPASISTOR	1000PF B 2012 1		R 724	GJ121605791	C.RESISTOR	2.2K 1/10W 5%	
C 721	GJ116302191	C.CAPASISTOR	10000PF B 2012		R 725	GJ121605791	C.RESISTOR	2.2K 1/10W 5%	
C 722	GJ116311791	C.CAPACITOR	100PF SL 2012 5		R 726	GJ121605791	C.RESISTOR	2.2K 1/10W 5%	
C 723	GJ116311791	C.CAPACITOR	100PF SL 2012 5		R 727	GJ121605791	C.RESISTOR	2.2K 1/10W 5%	
C 724	GJ116311791	C.CAPACITOR	100PF SL 2012 5		R 728	GJ121607391	C.RESISTOR	10K 1/10W 5%	
C 725	GJ116311791	C.CAPACITOR	100PF SL 2012 5		R 729	GJ121608991	C.RESISTOR	47K 1/10W 5%	
C 727	GJ112678591	E.CAPACITOR	10V M 47UF		R 730	GJ121607391	C.RESISTOR	10K 1/10W 5%	
C 732	GJ116303891	C.CAPACITOR	10000PF F 2012		R 731	GJ121604991	C.RESISTOR	1K 1/10W 5%	
C 738	GJ116312191	C.CAPACITOR	150PF SL 2012 5		R 732	GJ121609791	C.RESISTOR	100K 1/10W 5%	
C 801	GJ116302191	C.CAPASISTOR	10000PF B 2012		R 733	GJ121609791	C.RESISTOR	100K 1/10W 5%	
C 802	GJ116302191	C.CAPASISTOR	10000PF B 2012		R 734	GJ121609791	C.RESISTOR	100K 1/10W 5%	
CN701	QGF1212F1-17	FFC/FPC CONNE	17PINS		R 735	GJ121607391	C.RESISTOR	10K 1/10W 5%	
CN703	QGF1212F1-13	FFC/FPC CONNE	13PINS		R 737	GJ121607391	C.RESISTOR	10K 1/10W 5%	
CN704	GJ156451711	CONNECTOR	TIP-X02P-M1		R 738	GJ121607391	C.RESISTOR	10K 1/10W 5%	
D 702	1SS133Y	DIODE	GJ871999133		R 739	GJ121608191	C.RESISTOR	22K 1/10W 5%	
D 703	UZ5.1BSC-T2	ZENER DIODE	GJ310030011405		R 740	GJ121607391	C.RESISTOR	10K 1/10W 5%	
D 704	1SS133Y	DIODE	GJ871999133		R 742	GJ121605791	C.RESISTOR	2.2K 1/10W 5%	
D 706	1SS133Y	DIODE	GJ871999133		R 746	GJ121608191	C.RESISTOR	22K 1/10W 5%	
D 707	1SS133Y	DIODE	GJ871999133		R 748	GJ121608191	C.RESISTOR	22K 1/10W 5%	
D 708	1SS133Y	DIODE	GJ871999133		R 749	GJ121608991	C.RESISTOR	47K 1/10W 5%	
D 851	LT0311G-41	LED GREEN STAND	STAND BY/RED CO		R 750	GJ121607391	C.RESISTOR	10K 1/10W 5%	
D 852	LT0321-41	ON LED RTP	ON /GREEN COLOR		R 751	GJ121607391	C.RESISTOR	10K 1/10W 5%	
DI701	QLD0045-001	LCD	GJ373010272210		R 752	GJ121607391	C.RESISTOR	10K 1/10W 5%	
IC701	GJ313010671223	IC	MICOM		R 753	GJ121605791	C.RESISTOR	2.2K 1/10W 5%	
IC703	GP1U281X	IC	REMOTE SENSOR		R 754	GJ121607391	C.RESISTOR	10K 1/10W 5%	
JS801	QSW0706-001	ROTARY ENCODER	GJ299000480002		R 755	GJ121607391	C.RESISTOR	10K 1/10W 5%	
K 701	QQR0779-001Z	INDUCTOR	GJVQZ0048009		R 756	GJ121608191	C.RESISTOR	22K 1/10W 5%	
K 702	QQR0779-001Z	INDUCTOR	GJVQZ0048009		R 758	GJ121605791	C.RESISTOR	2.2K 1/10W 5%	
K 703	QQR0779-001Z	INDUCTOR	GJVQZ0048009		R 759	GJ121604991	C.RESISTOR	1K 1/10W 5%	
L 701	3A839N	INDUCTOR	10UH		R 760	GJ121604991	C.RESISTOR	1K 1/10W 5%	
L 702	3A839N	INDUCTOR	10UH		R 761	GJ121605791	C.RESISTOR	2.2K 1/10W 5%	
PL701	QLL0051-001	LAMP	8V 105MA T3.4 (		R 762	GJ121605791	C.RESISTOR	2.2K 1/10W 5%	
Q 701	2SC2714/O/-X	TRANSISTOR	GJ312020341203		R 763	GJ121605791	C.RESISTOR	2.2K 1/10W 5%	
Q 702	2SC2714/O/-X	TRANSISTOR	GJ312020341203		R 767	GJ121606591	C.RESISTOR	4.7K 1/10W 5%	
Q 703	2SC2412K/R/-X	TRANSISTOR	GJ872992075		R 768	GJ121607391	C.RESISTOR	10K 1/10W 5%	
Q 704	DTC144EKA-X	TRANSISTOR	GJ872902759		R 769	GJ121607391	C.RESISTOR	10K 1/10W 5%	
Q 705	2SA1037AK/RS/-X	TRANSISTOR	GJ872902649		R 770	GJ121605791	C.RESISTOR	2.2K 1/10W 5%	
Q 706	DTC143TKA-X	DIGI TRANSISTOR	GJ872902756		R 772	GJ121604991	C.RESISTOR	1K 1/10W 5%	
Q 709	2SC2412K/R/-X	TRANSISTOR	GJ872992075		R 773	GJ121607391	C.RESISTOR	10K 1/10W 5%	
Q 851	2SA1037AK/RS/-X	TRANSISTOR	GJ872902649		R 774	GJ121604991	C.RESISTOR	1K 1/10W 5%	
Q 852	2SC2412K/R/-X	TRANSISTOR	GJ872992075		R 775	GJ121604991	C.RESISTOR	1K 1/10W 5%	
R 701	GJ121604991	C.RESISTOR	1K 1/10W 5%		R 776	GJ121604991	C.RESISTOR	1K 1/10W 5%	
R 702	GJ121607191	C.RESISTOR	8.2K 1/10W 5%		R 777	GJ121604991	C.RESISTOR	1K 1/10W 5%	
R 703	GJ121607191	C.RESISTOR	8.2K 1/10W 5%		R 778	GJ121604991	C.RESISTOR	1K 1/10W 5%	
R 704	GJ121604991	C.RESISTOR	1K 1/10W 5%		R 779	GJ121604991	C.RESISTOR	1K 1/10W 5%	
R 706	GJ121607391	C.RESISTOR	10K 1/10W 5%		R 785	GJ121605791	C.RESISTOR	2.2K 1/10W 5%	
R 707	GJ121607391	C.RESISTOR	10K 1/10W 5%		R 790	GJ121606591	C.RESISTOR	4.7K 1/10W 5%	
R 708	GJ121607391	C.RESISTOR	10K 1/10W 5%		R 796	GJ121609791	C.RESISTOR	100K 1/10W 5%	

## ■ Electrical parts list ( System CPU board )

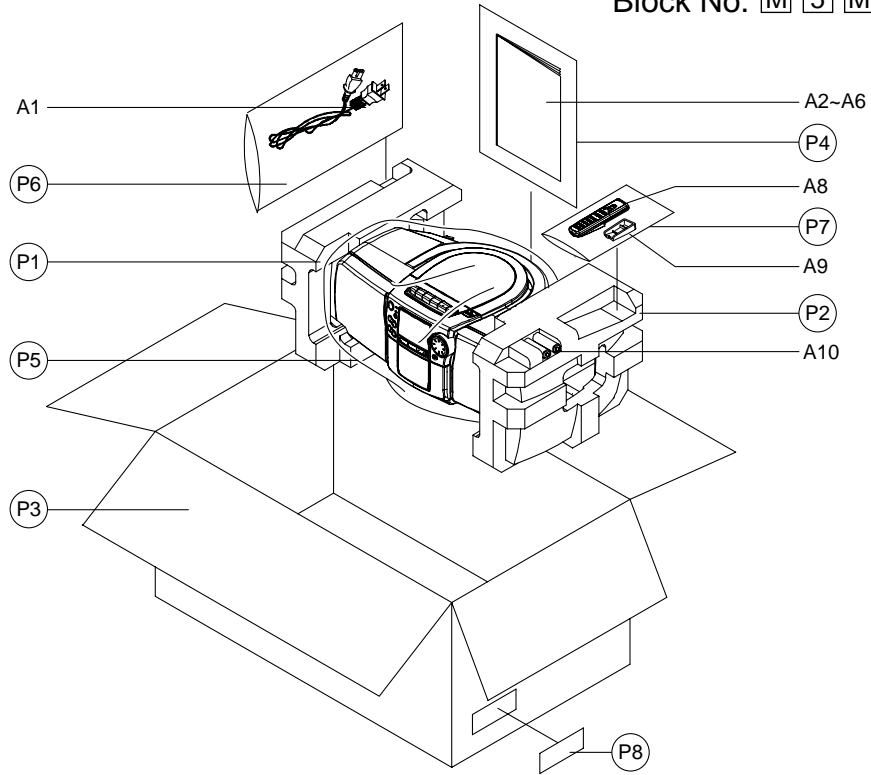
Block No. 02

△	Item	Parts number	Parts name	Remarks	Area
	R 797	GJ121606591	C.RESISTOR	4.7K 1/10W 5%	
	R 851	GJ121605391	C.RESISTOR	1.5K 1/10W 5%	
	R 852	GJ121605591	C.RESISTOR	1.8K 1/10W 5%	
	R 853	GJ121605991	C.RESISTOR	2.7K 1/10W 5%	
	R 854	GJ121606391	C.RESISTOR	3.9K 1/10W 5%	
	R 855	GJ121606991	C.RESISTOR	6.8K 1/10W 5%	
	R 856	GJ121607591	C.RESISTOR	12K 1/10W 5%	
	R 857	GJ121608791	C.RESISTOR	39K 1/10W 5%	
	R 858	GJ121606791	C.RESISTOR	5.6K 1/10W 5%	
	R 859	GJ121607991	C.RESISTOR	18K 1/10W 5%	
	R 860	GJ121603791	C.RESISTOR	330 1/10W 5%	
	R 861	GJ121604591	C.RESISTOR	680 1/10W 5%	
	R 862	GJ121607391	C.RESISTOR	10K 1/10W 5%	
	R 864	GJ121606791	C.RESISTOR	5.6K 1/10W 5%	
	R 865	GJ121605791	C.RESISTOR	2.2K 1/10W 5%	
	S 851	QSW0707-001Z	TACT SWITCH	GJ390110171110	
	S 852	QSW0707-001Z	TACT SWITCH	GJ390110171110	
	S 853	QSW0707-001Z	TACT SWITCH	GJ390110171110	
	S 854	QSW0707-001Z	TACT SWITCH	GJ390110171110	
	S 855	QSW0707-001Z	TACT SWITCH	GJ390110171110	
	S 856	QSW0707-001Z	TACT SWITCH	GJ390110171110	
	S 857	QSW0707-001Z	TACT SWITCH	GJ390110171110	
	S 858	QSW0707-001Z	TACT SWITCH	GJ390110171110	
	S 865	QSW0707-001Z	TACT SWITCH	GJ390110171110	
	S 866	PS-22F23-A3.3NS	PUSH SWITCH	GJ390030152203	
	WR701	GJ354004030205	WIRE	CN704 TO CD DOR	
	X 701	QAX0410-001Z	CERA LOCK	MIZCRHF 4.19MHZ	
	X 702	QAX0401-001	CRYSTAL	32.768KHZ	

# Packing materials and accessories parts list

Block No. M 4 M M

Block No. M 5 M M



## ■ Packing parts list

Block No. M4MM

⚠	Item	Parts number	Parts name	Q'ty	Description	Area
	P 1	GJ560340040101	CUSHION (L)	1		
	P 2	GJ560340050101	CUSHION (R)	1		
	P 3	GJ560340030101	CARTON WALL	1		
	P 4	QPA02503503P	POLY BAG	1	250 X 350	
	P 5	GJ740456520300	POLYBAG PE	1	450 X 650	
	P 6	QPA01503503	POLY BAG	1	150 X 350	
	P 7	QPA01202505	POLY BAG	1	120 X 250	
	P 8	LV30189-001A	CARTON LABEL	1		

## ■ Accessories parts list

Block No. M5MM

⚠	Item	Parts number	Parts name	Q'ty	Description	Area
⚠	A 1	GJ350161831129	POWER CORD	1	7A 120V 1.80M	
	A 2	GJ773012130101	INSTRUCTIOS	1	ENG SPA FRE	J,C
	A 3	BT-20044G	ACC SAFETY GUID	1	GJ775000140101	J,C
	A 4	GJ775000200202	SERVICE LIST	1		J,C
	A 5	GJ775000340101	SVC CENTER LIST	1		J,C
	A 6	GJ773030190302	WARRANTY CARD	1		J
	A 8	GJA1002015001C	REMOCON UNIT	1		
	A 9	GJ460340320102	COVER BATTERY	1	REMOTE CONTROL	